

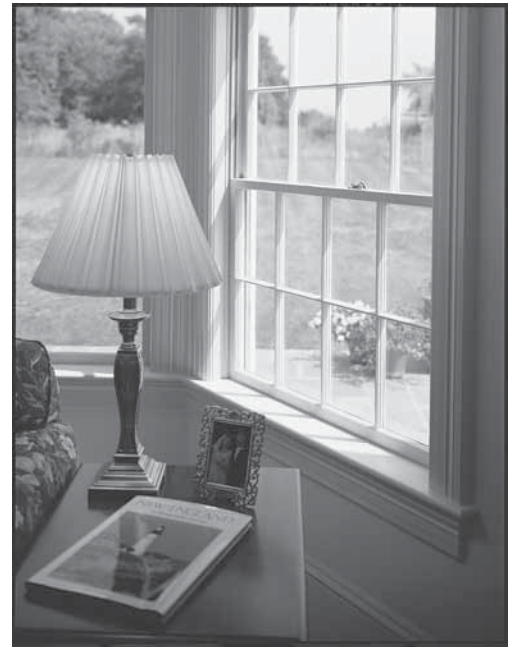


# BROSCO Insulating Window Unit



## Windows that Fit Northeast Lifestyles.

The Northeast's unique architectural styles and harsh climate demand windows that are quality built, energy efficient and fit the charm and character of the traditional home. From colonials and capes to a traditional saltbox home design, the BROSCO Window Unit offers classic styling that will satisfy the most discriminating tastes.



**Low "E" INSULATING GLASS with ARGON GAS**

## Table of Contents

Features of the BROSCO Double-Hung IG Window Unit.....	BI-2
Rough Openings / Unit Dimensions / Unit Detail.....	BI-3
Size Grid: 1/1 Units.....	BI-4
Pricing Guide: 1/1 Units.....	BI-4 thru 7
Size Grid & Pricing Guide: Cottage Style Units.....	BI-8
Size Grid & Pricing Guide: Picture Units.....	BI-9
Pricing Guide: Transom Units & Single Sash Stationary Units.....	BI-10
Unit Options.....	BI-11
Sash Only, Balances & Sash Pack Replacement Kits	
How to Measure for Replacement Sash.....	BI-12
Equal Light.....	BI-12 thru 14
Cottage Style.....	BI-15
Picture Sash.....	BI-15
Sash Details.....	BI-16
Care & Finishing.....	BI-17
Warranty.....	BI-18



# BROSCO Insulating Window Unit



## Low "E" INSULATING GLASS with ARGON GAS

### Standard Features of a BROSCO Window Unit -

#### Frame – Wood Frame (4<sup>9</sup>/<sub>16</sub>" wall):

- Clear Head & Side Jamb.
- Treated with a moisture repellent preservative.
- Exterior surfaces are factory primed.
- **Composite Blind Stop & Brickmould Casing.**

#### Sill – Composite Sill & Nosing; impervious to rot and decay; resists termites and other insects.

#### Sash – Wood Sash: 1<sup>3</sup>/<sub>8</sub>" Thick. Mortise and Tenon construction. Preservative treated; Primed exterior, Natural Clear Pine interior. Composite glazing bead. Horizontal weatherstrip applied.

#### Glazing – Wood Sash:

- 3/4" Low-E with Argon 1/1



BRICKMOULD CASING



FLAT CASING

#### Other Features –

- Vinyl Jamb Liners with Tilt 'n Clean Block & Tackle Counter-Balance (specify White or Beige).
- Weatherstripped Vinyl Head Parting Stop (Color Matched to Jamb Liner).
- Clear Pine Inside Stops (Side Jamb & Sill).
- Applied Cam-style Sash Lock (white), 2 per sash when glass size is 27" or wider.

#### Casing Options –

- **Composite Flat Casing**
  - 1<sup>1</sup>/<sub>16</sub>" x 3<sup>3</sup>/<sub>4</sub>" Head and Sides
  - 1<sup>1</sup>/<sub>16</sub>" x 4<sup>1</sup>/<sub>2</sub>" Cape Cod Casing Head and Sides
- **Wood Flat Casing**
  - Treated & Primed: 1<sup>1</sup>/<sub>16</sub>" x 5<sup>1</sup>/<sub>4</sub>" Flat Casing
  - **Clear Cedar:** 1<sup>1</sup>/<sub>16</sub>" x 3<sup>3</sup>/<sub>4</sub>" Flat Casing

#### Other Popular Options –

- Extension Jamb for 6<sup>9</sup>/<sub>16</sub>" wall - applied.
- Insect Screens - Full, White Aluminum Frame with charcoal colored fiberglass mesh.
- Cam-style Sash Locks - Brasstone.
- Wood Grilles - shipped K.D. (polybagged with fasteners).
- Cedar Sill and Nosing/Connector.
- "Historic" Sill Nosing/Connector (Composite or Cedar).
- Long Sill Horns.
- Moulded Urethane Window Heads & Trims.

NFRC Rating	
"U" Value	SHGC
0.28	0.32

### HOW-TO-ORDER A WINDOW UNIT

1. Unit Description (glass size), Glazing Type
2. Single, Mullion, Triple, etc. On mullied units, specify narrow mulls, single stud pocket mulls or special width stud pockets.
3. Type and Size of Casing (Brickmould standard)  
For "No Casing" units 3<sup>3</sup>/<sub>4</sub>" Sill Horns will be used unless otherwise specified.
4. Jamb Width (4<sup>9</sup>/<sub>16</sub>" standard) or with 6<sup>9</sup>/<sub>16</sub>" Extension Jamb.
5. Optional extras (Full Screens, Wood Grilles, etc.).



# BROSCO Insulating Window Unit

## ROUGH OPENING / UNIT DIMENSIONS



	Single Opening	Mullion (Narrow)	Mullion (w/Single Stud Pocket)	Triple ★ (Narrow)	Triple ★ (w/Single Stud Pocket)
Rough Opening	Total glass + 6"	Total glass + 10 <sup>7</sup> / <sub>8</sub> "	Total glass + 12 <sup>7</sup> / <sub>8</sub> "	Total glass + 15 <sup>3</sup> / <sub>4</sub> "	Total glass + 19 <sup>3</sup> / <sub>4</sub> "
Unit Dimension	Total glass + 4 <sup>7</sup> / <sub>8</sub> "	Total glass + 9 <sup>3</sup> / <sub>4</sub> "	Total glass + 11 <sup>3</sup> / <sub>4</sub> "	Total glass + 14 <sup>5</sup> / <sub>8</sub> "	Total glass + 18 <sup>5</sup> / <sub>8</sub> "
Brickmould Casing	Total glass + 7 <sup>5</sup> / <sub>8</sub> "	Total glass + 12 <sup>1</sup> / <sub>2</sub> "	Total glass + 14 <sup>1</sup> / <sub>2</sub> "	Total glass + 17 <sup>3</sup> / <sub>8</sub> "	Total glass + 21 <sup>3</sup> / <sub>8</sub> "
Flat Casing (3 <sup>3</sup> / <sub>4</sub> ")	Total glass + 11"	Total glass + 15 <sup>7</sup> / <sub>8</sub> "	Total glass + 17 <sup>7</sup> / <sub>8</sub> "	Total glass + 20 <sup>3</sup> / <sub>4</sub> "	Total glass + 24 <sup>3</sup> / <sub>4</sub> "
Cape Cod Casing	Total glass + 12 <sup>3</sup> / <sub>4</sub> "	Total glass + 17 <sup>5</sup> / <sub>8</sub> "	Total glass + 19 <sup>5</sup> / <sub>8</sub> "	Total glass + 22 <sup>1</sup> / <sub>2</sub> "	Total glass + 26 <sup>1</sup> / <sub>2</sub> "

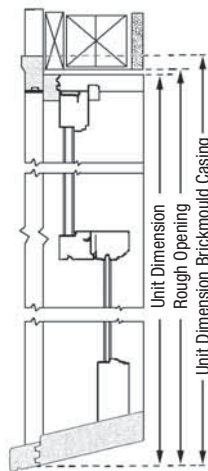
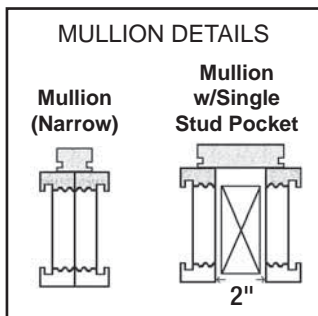
★ Picture with Flankers or 3 of a kind

Sash Opening Width: Total glass + 3<sup>5</sup>/<sub>8</sub>"    Sash Opening Height: Total glass + 5"

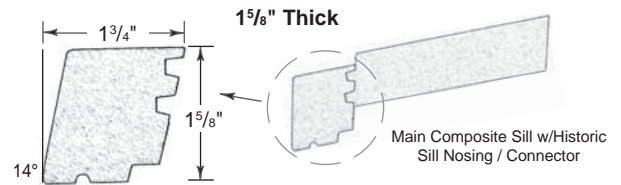
	Quad (Narrow)	Quad (w/Single Stud Pocket)	Quint (Narrow)	Quint (w/Single Stud Pocket)
Rough Opening	Total glass + 20 <sup>5</sup> / <sub>8</sub> "	Total glass + 26 <sup>5</sup> / <sub>8</sub> "	Total glass + 25 <sup>5</sup> / <sub>8</sub> "	Total glass + 33 <sup>5</sup> / <sub>8</sub> "
Unit Dimension	Total glass + 19 <sup>1</sup> / <sub>2</sub> "	Total glass + 25 <sup>1</sup> / <sub>2</sub> "	Total glass + 24 <sup>3</sup> / <sub>8</sub> "	Total glass + 32 <sup>3</sup> / <sub>8</sub> "
Brickmould Casing	Total glass + 22 <sup>1</sup> / <sub>4</sub> "	Total glass + 28 <sup>1</sup> / <sub>4</sub> "	Total glass + 27 <sup>1</sup> / <sub>8</sub> "	Total glass + 35 <sup>1</sup> / <sub>8</sub> "
Flat Casing (3 <sup>3</sup> / <sub>4</sub> ")	Total glass + 25 <sup>5</sup> / <sub>8</sub> "	Total glass + 31 <sup>5</sup> / <sub>8</sub> "	Total glass + 30 <sup>1</sup> / <sub>2</sub> "	Total glass + 38 <sup>1</sup> / <sub>2</sub> "
Cape Cod Casing	Total glass + 27 <sup>3</sup> / <sub>8</sub> "	Total glass + 33 <sup>3</sup> / <sub>8</sub> "	Total glass + 32 <sup>1</sup> / <sub>4</sub> "	Total glass + 40 <sup>1</sup> / <sub>4</sub> "

### Standard Frame Details

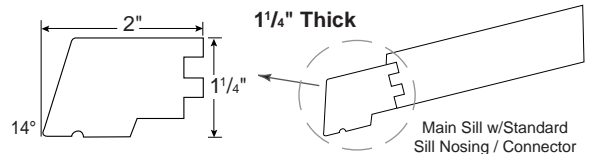
- 4<sup>9</sup>/<sub>16</sub>" Wall
- Composite Brickmould Casing
- Composite Standard Sill Nosing



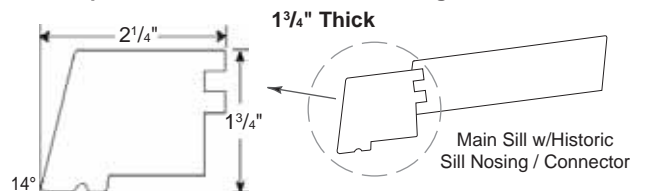
### Optional Composite "Historic" Sill Nosing / Connector



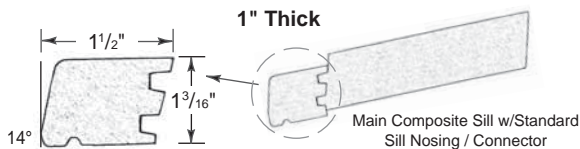
### Standard Cedar Sill Nosing / Connector



### Optional "Historic" Cedar Sill Nosing / Connector



### Standard Composite Sill Nosing / Connector



Shaded areas indicate composite.



# BROSCO Insulating Window Unit

## SIZE CHART & PRICING



### Low-E INSULATING GLASS with ARGON GAS

#### Basic Unit Features:

- **Frame** – 4<sup>9</sup>/<sub>16</sub>" Clear Side Jambs, Treated and Primed. **Composite Blind Stop.**
- **Sill** – **Composite Sill and Nosing.**
- **Casing** – **Composite Brickmould** standard.
- **Sash** – 1<sup>3</sup>/<sub>8</sub>" Thick, with 3/4" Low "E" Insulating Glass with Argon.  
Wood Sash: Primed Exterior, Clear Pine Interior
- Tilt 'n Clean Block & Tackle Balance System with Vinyl Jamb Liners (specify beige or white)
- Weatherstripped Head Parting Stop
- Pine Inside Stops – Sides & Sill
- Cam Sash Lock applied (white)  
2 per sash when glass size is 27" or wider

Rough Opening			1'-10"		2'-0"		2'-2"		2'-3"		2'-6"		2'-9"		2'-10"		3'-0"		3'-2"		3'-6"	
● Sash Opening			1'-7 5/8"		1'-9 5/8"		1'-11 5/8"		2'-0 5/8"		2'-3 5/8"		2'-6 5/8"		2'-7 5/8"		2'-9 5/8"		2'-11 5/8"		3'-3 5/8"	
★ Glass Size			16"		18"		20"		21"		24"		27"		28"		30"		32"		36"	
2'-9"	2'-5"	12"	1	16" x 12"	13	18" x 12"	25	20" x 12"	37	21" x 12"	49	24" x 12"	61	27" x 12"	73	28" x 12"	85	30" x 12"	97	32" x 12"	109	36" x 12"
3'-1"	2'-9"	14"	2	16" x 14"	14	18" x 14"	26	20" x 14"	38	21" x 14"	50	24" x 14"	62	27" x 14"	74	28" x 14"	86	30" x 14"	98	32" x 14"	110	36" x 14"
3'-5"	3'-1"	16"	3	16" x 16"	15	18" x 16"	27	20" x 16"	39	21" x 16"	51	24" x 16"	63	27" x 16"	75	28" x 16"	87	30" x 16"	99	32" x 16"	111	36" x 16"
3'-9"	3'-5"	18"	4	16" x 18"	16	18" x 18"	28	20" x 18"	40	21" x 18"	52	24" x 18"	64	27" x 18"	76	28" x 18"	88	30" x 18"	100	32" x 18"	112	36" x 18"
4'-1"	3'-9"	20"	5	16" x 20"	17	18" x 20"	29	20" x 20"	41	21" x 20"	53	24" x 20"	65	27" x 20"	77	28" x 20"	89	30" x 20"	101	32" x 20"	113	36" x 20"
4'-5"	4'-1"	22"	6	16" x 22"	18	18" x 22"	30	20" x 22"	42	21" x 22"	54	24" x 22"	66	27" x 22"	78	28" x 22"	90	30" x 22"	102	32" x 22"	114	36" x 22"
4'-9"	4'-5"	24"	7	16" x 24"	19	18" x 24"	31	20" x 24"	43	21" x 24"	55	24" x 24"	67	27" x 24"	79	28" x 24"	91	30" x 24"	103	32" x 24"	115	36" x 24"
5'-1"	4'-9"	26"	8	16" x 26"	20	18" x 26"	32	20" x 26"	44	21" x 26"	56	24" x 26"	68	27" x 26"	80	28" x 26"	92	30" x 26"	104	32" x 26"	116	36" x 26"
5'-3"	4'-11"	27"	9	16" x 27"	21	18" x 27"	33	20" x 27"	45	21" x 27"	57	24" x 27"	69	27" x 27"	81	28" x 27"	93	30" x 27"	105	32" x 27"	117	36" x 27"
5'-5"	5'-1"	28"	10	16" x 28"	22	18" x 28"	34	20" x 28"	46	21" x 28"	58	24" x 28"	70	27" x 28"	82	28" x 28"	94	30" x 28"	106	32" x 28"	118	36" x 28"
5'-9"	5'-5"	30"	11	16" x 30"	23	18" x 30"	35	20" x 30"	47	21" x 30"	59	24" x 30"	71	27" x 30"	83	28" x 30"	95	30" x 30"	107	32" x 30"	119	36" x 30"
6'-1"	5'-9"	32"	12	16" x 32"	24	18" x 32"	36	20" x 32"	48	21" x 32"	60	24" x 32"	72	27" x 32"	84	28" x 32"	96	30" x 32"	108	32" x 32"	120	36" x 32"

For window units 61-120, refer to pages BI-6 and 7.

● Actual sash width = sash opening width minus 1<sup>9</sup>/<sub>16</sub>".

Light cuts are shown for Optional Wood Grilles, GBG or SDL

★ Glass sizes are approximate.

Illustrations not to scale.

1/1 LIGHT		Set-Up Units with Brickmould Casing		Set-Up Unit Options				
Unit Description (Glass Size)		Wood Sash		*ADD Full Screen (White Frame)	ADD 6 <sup>9</sup> / <sub>16</sub> " Ext. Jambs (Applied) ♠ ♣	*ADD Wood Grilles	ADD Composite Flat Casing 1 <sup>1</sup> / <sub>16</sub> " x 3 <sup>3</sup> / <sub>4</sub> "	◇ DEDUCT No Casing
		Low "E" IG w/Argon 1/1						
1	16" x 12"	\$361.00		\$36.00	\$36.00	\$40.00	\$25.00	-\$34.00
2	16" x 14"	382.00		36.00	36.00	40.00	25.00	-34.00
3	16" x 16"	369.00		16.00	36.00	25.00	25.00	-34.00
4	16" x 18"	418.00		36.00	36.00	40.00	29.00	-34.00
5	16" x 20"	406.00		17.00	36.00	25.00	33.00	-38.00
6	16" x 22"	421.00		32.00	36.00	25.00	33.00	-38.00
7	16" x 24"	441.00		19.00	36.00	25.00	34.00	-40.00
8	16" x 26"	498.00		36.00	36.00	40.00	35.00	-42.00
9	16" x 27"	510.00		36.00	36.00	40.00	53.00	-46.00
10	16" x 28"	520.00		36.00	36.00	40.00	53.00	-46.00
11	16" x 30"	540.00		36.00	36.00	40.00	55.00	-46.00
12	16" x 32"	558.00		36.00	36.00	40.00	55.00	-46.00
13	18" x 12"	373.00		36.00	36.00	40.00	25.00	-34.00
14	18" x 14"	392.00		36.00	36.00	40.00	25.00	-34.00
15	18" x 16"	379.00		16.00	36.00	25.00	25.00	-34.00
16	18" x 18"	429.00		36.00	36.00	40.00	29.00	-34.00
17	18" x 20"	450.00		36.00	36.00	40.00	33.00	-38.00
18	18" x 22"	468.00		36.00	36.00	40.00	33.00	-38.00
19	18" x 24"	455.00		36.00	36.00	40.00	34.00	-40.00
20	18" x 26"	492.00		36.00	36.00	40.00	35.00	-42.00
21	18" x 27"	522.00		36.00	36.00	40.00	53.00	-46.00
22	18" x 28"	531.00		36.00	36.00	40.00	53.00	-46.00
23	18" x 30"	547.00		36.00	36.00	40.00	55.00	-46.00
24	18" x 32"	571.00		36.00	36.00	40.00	55.00	-46.00



# BROSCO Insulating Window Unit

## PRICING



### Low-E INSULATING GLASS with ARGON GAS

1/1 LIGHT	Set-Up Units with Brickmould Casing		Set-Up Unit Options				
	Wood Sash		*ADD Full Screen (White Frame)	ADD 6 <sup>3</sup> / <sub>16</sub> " Ext. Jambs (Applied) ♠ ♣	*ADD Wood Grilles	ADD Composite Flat Casing 1 <sup>1</sup> / <sub>16</sub> " x 3 <sup>3</sup> / <sub>4</sub> "	◇ DEDUCT No Casing
	Unit Description (Glass Size)	Low "E" IG w/Argon 1/1					
25	20" x 12"	382.00	36.00	36.00	55.00	25.00	-34.00
26	20" x 14"	401.00	36.00	36.00	55.00	25.00	-34.00
27	20" x 16"	388.00	19.00	36.00	34.00	25.00	-34.00
28	20" x 18"	437.00	36.00	36.00	55.00	29.00	-34.00
29	20" x 20"	423.00	18.00	36.00	34.00	33.00	-38.00
30	20" x 22"	440.00	19.00	36.00	34.00	33.00	-38.00
31	20" x 24"	458.00	32.00	36.00	34.00	34.00	-40.00
32	20" x 26"	482.00	36.00	36.00	55.00	35.00	-42.00
33	20" x 27"	531.00	36.00	36.00	55.00	53.00	-46.00
34	20" x 28"	501.00	32.00	36.00	55.00	53.00	-46.00
35	20" x 30"	598.00	36.00	36.00	55.00	55.00	-46.00
36	20" x 32"	619.00	36.00	36.00	55.00	55.00	-46.00
37	21" x 12"	386.00	36.00	36.00	55.00	25.00	-34.00
38	21" x 14"	405.00	36.00	36.00	55.00	25.00	-34.00
39	21" x 16"	424.00	36.00	36.00	55.00	25.00	-34.00
40	21" x 18"	408.00	18.00	36.00	34.00	29.00	-34.00
41	21" x 20"	463.00	36.00	36.00	55.00	33.00	-38.00
42	21" x 22"	481.00	36.00	36.00	55.00	33.00	-38.00
43	21" x 24"	501.00	36.00	36.00	55.00	34.00	-40.00
44	21" x 26"	523.00	36.00	36.00	55.00	35.00	-42.00
45	21" x 27"	535.00	36.00	36.00	55.00	53.00	-46.00
46	21" x 28"	544.00	36.00	36.00	55.00	53.00	-46.00
47	21" x 30"	564.00	36.00	36.00	55.00	55.00	-46.00
48	21" x 32"	583.00	36.00	36.00	55.00	55.00	-46.00
49	24" x 12"	369.00	32.00	36.00	34.00	25.00	-34.00
50	24" x 14"	388.00	17.00	36.00	34.00	25.00	-34.00
51	24" x 16"	403.00	18.00	36.00	34.00	25.00	-34.00
52	24" x 18"	419.00	19.00	36.00	34.00	29.00	-34.00
53	24" x 20"	440.00	20.00	36.00	34.00	33.00	-38.00
54	24" x 22"	455.00	20.00	36.00	34.00	33.00	-38.00
55	24" x 24"	474.00	22.00	36.00	34.00 ‡	34.00	-40.00
56	24" x 26"	493.00	22.00	36.00	34.00	35.00	-42.00
57	24" x 27"	548.00	36.00	36.00	55.00	53.00	-46.00
58	24" x 28"	512.00	23.00	36.00	34.00	53.00	-46.00
59	24" x 30"	537.00	36.00	36.00	55.00	55.00	-46.00
60	24" x 32"	620.00	36.00	36.00	55.00	55.00	-46.00

‡ Optional 12/12 Lt. Grille (Wood Sash only) **\$64.00**

Mullion Unit (Single Unit times 2 plus)..... ADD **\$15.00**

Triple Unit (Single Unit times 3 plus) ..... ADD **28.00**

Quad Unit (Single Unit times 4 plus) ..... ADD **40.00**

Quint Unit (Single Unit times 5 plus)..... ADD **45.00**

Add for *Single Stud Pocket* (per pocket) ..... ADD **23.00**

\* Add for *Special Stud Pocket* (per pocket)..... ADD **31.00**

Brasstone Sash Lock Applied - each ..... ADD **17.00**

Double-Hung "Open Frame" Pricing - please call BROSCO.

Maximize your window's performance by adding a LARSON® Storm Window – See LARSON Storm & Venting Products (Tab LAR)

#### OPTIONAL CASING & OTHER OPTIONS - PAGE BI-11

**NOTES:** \* Not Applied.  
 ◇ 3<sup>3</sup>/<sub>4</sub>" Sill horns will be used unless otherwise specified.  
 ♠ Extension Jambs for Stud Pocket Units surround the individual units (sides & top).  
 ♣ Extension Jamb adder applies to single units only. For all other configurations, see options page BI-11.  
 \* Mull casing not included.  
 Units greater than 12'-0" width utilizing Composite or Cedar Flat Casing will have a butt joint.  
 Items priced in *Italics* are Factory Order – Please allow additional lead time.





# BROSCO Insulating Window Unit

## SIZE CHART & PRICING



### Low-E INSULATING GLASS with ARGON GAS

#### Basic Unit Features:

- **Frame** – 4<sup>9</sup>/<sub>16</sub>" Clear Side Jambs, Treated and Primed. **Composite Blind Stop.**
- **Sill** – **Composite Sill and Nosing.**
- **Casing** – **Composite Brickmould standard.**
- **Sash** – 1<sup>3</sup>/<sub>8</sub>" Thick, with <sup>3</sup>/<sub>4</sub>" Low "E" Insulating Glass with Argon.  
Wood Sash: Primed Exterior, Clear Pine Interior
- Tilt 'n Clean Block & Tackle Balance System with Vinyl Jamb Liners (specify beige or white)
- Weatherstripped Head Parting Stop
- Pine Inside Stops – Sides & Sill
- Cam Sash Lock applied (white)  
2 per sash when glass size is 27" or wider

Rough Opening		1'-10"	2'-0"	2'-2"	2'-3"	2'-6"	2'-9"	2'-10"	3'-0"	3'-2"	3'-6"											
● Sash Opening		1'-7 <sup>5</sup> / <sub>8</sub> "	1'-9 <sup>5</sup> / <sub>8</sub> "	1'-11 <sup>5</sup> / <sub>8</sub> "	2'-0 <sup>5</sup> / <sub>8</sub> "	2'-3 <sup>5</sup> / <sub>8</sub> "	2'-6 <sup>5</sup> / <sub>8</sub> "	2'-7 <sup>5</sup> / <sub>8</sub> "	2'-9 <sup>5</sup> / <sub>8</sub> "	2'-11 <sup>5</sup> / <sub>8</sub> "	3'-3 <sup>5</sup> / <sub>8</sub> "											
★ Glass Size		16"	18"	20"	21"	24"	27"	28"	30"	32"	36"											
2'-9"	2'-5"	12"	1	16" x 12"	13	18" x 12"	25	20" x 12"	37	21" x 12"	49	24" x 12"	61	27" x 12"	73	28" x 12"	85	30" x 12"	97	32" x 12"	109	36" x 12"
3'-1"	2'-9"	14"	2	16" x 14"	14	18" x 14"	26	20" x 14"	38	21" x 14"	50	24" x 14"	62	27" x 14"	74	28" x 14"	86	30" x 14"	98	32" x 14"	110	36" x 14"
3'-5"	3'-1"	16"	3	16" x 16"	15	18" x 16"	27	20" x 16"	39	21" x 16"	51	24" x 16"	63	27" x 16"	75	28" x 16"	87	30" x 16"	99	32" x 16"	111	36" x 16"
3'-9"	3'-5"	18"	4	16" x 18"	16	18" x 18"	28	20" x 18"	40	21" x 18"	52	24" x 18"	64	27" x 18"	76	28" x 18"	88	30" x 18"	100	32" x 18"	112	36" x 18"
4'-1"	3'-9"	20"	5	16" x 20"	17	18" x 20"	29	20" x 20"	41	21" x 20"	53	24" x 20"	65	27" x 20"	77	28" x 20"	89	30" x 20"	101	32" x 20"	113	36" x 20"
4'-5"	4'-1"	22"	6	16" x 22"	18	18" x 22"	30	20" x 22"	42	21" x 22"	54	24" x 22"	66	27" x 22"	78	28" x 22"	90	30" x 22"	102	32" x 22"	114	36" x 22"
4'-9"	4'-5"	24"	7	16" x 24"	19	18" x 24"	31	20" x 24"	43	21" x 24"	55	24" x 24"	67	27" x 24"	79	28" x 24"	91	30" x 24"	103	32" x 24"	115	36" x 24"
5'-1"	4'-9"	26"	8	16" x 26"	20	18" x 26"	32	20" x 26"	44	21" x 26"	56	24" x 26"	68	27" x 26"	80	28" x 26"	92	30" x 26"	104	32" x 26"	116	36" x 26"
5'-3"	4'-11"	27"	9	16" x 27"	21	18" x 27"	33	20" x 27"	45	21" x 27"	57	24" x 27"	69	27" x 27"	81	28" x 27"	93	30" x 27"	105	32" x 27"	117	36" x 27"
5'-5"	5'-1"	28"	10	16" x 28"	22	18" x 28"	34	20" x 28"	46	21" x 28"	58	24" x 28"	70	27" x 28"	82	28" x 28"	94	30" x 28"	106	32" x 28"	118	36" x 28"
5'-9"	5'-5"	30"	11	16" x 30"	23	18" x 30"	35	20" x 30"	47	21" x 30"	59	24" x 30"	71	27" x 30"	83	28" x 30"	95	30" x 30"	107	32" x 30"	119	36" x 30"
6'-1"	5'-9"	32"	12	16" x 32"	24	18" x 32"	36	20" x 32"	48	21" x 32"	60	24" x 32"	72	27" x 32"	84	28" x 32"	96	30" x 32"	108	32" x 32"	120	36" x 32"

**For window units 1-60,  
refer to pages BI-4 and 5.**

● Actual sash width = sash opening width minus 1<sup>9</sup>/<sub>16</sub>".

Light cuts are shown for Optional Wood Grilles, GBG or SDL

★ Glass sizes are approximate.

Illustrations not to scale.

1/1 LIGHT	Set-Up Units with Brickmould Casing		Set-Up Unit Options				
	Unit Description (Glass Size)	Wood Sash Low "E" IG w/Argon 1/1	*ADD Full Screen (White Frame)	ADD 6 <sup>9</sup> / <sub>16</sub> " Ext. Jambs (Applied) ♠ ♣	*ADD Wood Grilles	ADD Composite Flat Casing 1 <sup>1</sup> / <sub>16</sub> " x 3 <sup>3</sup> / <sub>4</sub> "	◇ DEDUCT No Casing
61	27" x 12"	\$424.00	\$25.00	\$36.00	\$55.00	\$25.00	-\$34.00
62	27" x 14"	444.00	18.00	36.00	55.00	25.00	-34.00
63	27" x 16"	426.00	19.00	36.00	34.00	25.00	-34.00
64	27" x 18"	444.00	20.00	36.00	55.00	29.00	-34.00
65	27" x 20"	463.00	21.00	36.00	34.00	33.00	-38.00
66	27" x 22"	478.00	22.00	36.00	34.00	33.00	-38.00
67	27" x 24"	498.00	22.00	36.00	34.00	34.00	-40.00
68	27" x 26"	516.00	23.00	36.00	34.00	35.00	-42.00
69	27" x 27"	573.00	36.00	36.00	55.00	53.00	-46.00
70	27" x 28"	536.00	24.00	36.00	55.00	53.00	-46.00
71	27" x 30"	555.00	25.00	36.00	34.00	55.00	-46.00
72	27" x 32"	621.00	36.00	36.00	55.00	55.00	-46.00
73	28" x 12"	429.00	36.00	36.00	55.00	25.00	-34.00
74	28" x 14"	415.00	18.00	36.00	34.00	25.00	-34.00
75	28" x 16"	430.00	19.00	36.00	34.00	25.00	-34.00
76	28" x 18"	465.00	20.00	36.00	55.00	29.00	-34.00
77	28" x 20"	467.00	21.00	36.00	34.00	33.00	-38.00
78	28" x 22"	488.00	22.00	36.00	34.00	33.00	-38.00
79	28" x 24"	502.00	23.00	36.00	34.00	34.00	-40.00
80	28" x 26"	520.00	23.00	36.00	34.00	35.00	-42.00
81	28" x 27"	554.00	24.00	36.00	55.00	53.00	-46.00
82	28" x 28"	540.00	25.00	36.00	34.00	53.00	-46.00
83	28" x 30"	587.00	36.00	36.00	55.00	55.00	-46.00
84	28" x 32"	643.00	36.00	36.00	55.00	55.00	-46.00



# BROSCO Insulating Window Unit

## PRICING



### Low-E INSULATING GLASS with ARGON GAS

1/1 LIGHT	Set-Up Units with Brickmould Casing		Set-Up Unit Options				
	Wood Sash		*ADD Full Screen (White Frame)	ADD 6 <sup>9</sup> / <sub>16</sub> " Ext. Jambs (Applied) ♠ ♣	*ADD Wood Grilles	ADD Composite Flat Casing 1 <sup>1</sup> / <sub>16</sub> " x 3 <sup>3</sup> / <sub>4</sub> "	◇ DEDUCT No Casing
	Unit Description (Glass Size)	Low "E" IG w/Argon 1/1					
85	30" x 12"	<i>\$438.00</i>	<i>\$36.00</i>	<i>\$36.00</i>	<i>\$55.00</i>	<i>\$25.00</i>	<i>-\$34.00</i>
86	30" x 14"	<i>457.00</i>	<i>36.00</i>	<i>36.00</i>	<i>55.00</i>	<i>25.00</i>	<i>-34.00</i>
87	30" x 16"	<i>439.00</i>	<i>20.00</i>	<i>36.00</i>	<i>34.00</i>	<i>25.00</i>	<i>-34.00</i>
88	30" x 18"	<i>493.00</i>	<i>32.00</i>	<i>36.00</i>	<i>55.00</i>	<i>29.00</i>	<i>-34.00</i>
89	30" x 20"	<i>474.00</i>	<i>21.00</i>	<i>36.00</i>	<i>34.00</i>	<i>33.00</i>	<i>-38.00</i>
90	30" x 22"	<i>491.00</i>	<i>22.00</i>	<i>36.00</i>	<i>34.00</i>	<i>33.00</i>	<i>-38.00</i>
91	30" x 24"	<i>509.00</i>	<i>23.00</i>	<i>36.00</i>	<i>34.00</i>	<i>34.00</i>	<i>-40.00</i>
92	30" x 26"	<i>529.00</i>	<i>25.00</i>	<i>36.00</i>	<i>34.00</i>	<i>35.00</i>	<i>-42.00</i>
99	30" x 27"	<i>587.00</i>	<i>36.00</i>	<i>36.00</i>	<i>55.00</i>	<i>53.00</i>	<i>-46.00</i>
94	30" x 28"	<i>548.00</i>	<i>25.00</i>	<i>36.00</i>	<i>55.00</i>	<i>53.00</i>	<i>-46.00</i>
95	30" x 30"	<i>566.00</i>	<i>25.00</i>	<i>36.00</i>	<i>34.00</i>	<i>55.00</i>	<i>-46.00</i>
96	30" x 32"	<i>597.00</i>	<i>36.00</i>	<i>36.00</i>	<i>55.00</i>	<i>55.00</i>	<i>-46.00</i>
97	32" x 12"	<i>446.00</i>	<i>36.00</i>	<i>36.00</i>	<i>71.00</i>	<i>25.00</i>	<i>-34.00</i>
98	32" x 14"	<i>465.00</i>	<i>36.00</i>	<i>36.00</i>	<i>71.00</i>	<i>25.00</i>	<i>-34.00</i>
99	32" x 16"	<i>447.00</i>	<i>21.00</i>	<i>36.00</i>	<i>45.00</i>	<i>25.00</i>	<i>-34.00</i>
100	32" x 18"	<i>502.00</i>	<i>36.00</i>	<i>36.00</i>	<i>71.00</i>	<i>29.00</i>	<i>-34.00</i>
101	32" x 20"	<i>483.00</i>	<i>22.00</i>	<i>36.00</i>	<i>45.00</i>	<i>33.00</i>	<i>-38.00</i>
102	32" x 22"	<i>499.00</i>	<i>23.00</i>	<i>36.00</i>	<i>45.00</i>	<i>33.00</i>	<i>-38.00</i>
103	32" x 24"	<i>517.00</i>	<i>24.00</i>	<i>36.00</i>	<i>45.00</i>	<i>34.00</i>	<i>-40.00</i>
104	32" x 26"	<i>583.00</i>	<i>36.00</i>	<i>36.00</i>	<i>71.00</i>	<i>35.00</i>	<i>-42.00</i>
105	32" x 27"	<i>595.00</i>	<i>36.00</i>	<i>36.00</i>	<i>71.00</i>	<i>53.00</i>	<i>-46.00</i>
106	32" x 28"	<i>561.00</i>	<i>26.00</i>	<i>36.00</i>	<i>45.00</i>	<i>53.00</i>	<i>-46.00</i>
107	32" x 30"	<i>642.00</i>	<i>36.00</i>	<i>36.00</i>	<i>71.00</i>	<i>55.00</i>	<i>-46.00</i>
108	32" x 32"	<i>660.00</i>	<i>36.00</i>	<i>36.00</i>	<i>71.00</i>	<i>55.00</i>	<i>-46.00</i>
109	36" x 12"	<i>464.00</i>	<i>36.00</i>	<i>36.00</i>	<i>71.00</i>	<i>25.00</i>	<i>-34.00</i>
110	36" x 14"	<i>485.00</i>	<i>36.00</i>	<i>36.00</i>	<i>71.00</i>	<i>25.00</i>	<i>-34.00</i>
111	36" x 16"	<i>502.00</i>	<i>36.00</i>	<i>36.00</i>	<i>71.00</i>	<i>25.00</i>	<i>-34.00</i>
112	36" x 18"	<i>521.00</i>	<i>36.00</i>	<i>36.00</i>	<i>71.00</i>	<i>29.00</i>	<i>-34.00</i>
113	36" x 20"	<i>542.00</i>	<i>36.00</i>	<i>36.00</i>	<i>71.00</i>	<i>33.00</i>	<i>-38.00</i>
114	36" x 22"	<i>559.00</i>	<i>36.00</i>	<i>36.00</i>	<i>71.00</i>	<i>33.00</i>	<i>-38.00</i>
115	36" x 24"	<i>587.00</i>	<i>25.00</i>	<i>36.00</i>	<i>45.00</i>	<i>34.00</i>	<i>-40.00</i>
116	36" x 26"	<i>601.00</i>	<i>36.00</i>	<i>36.00</i>	<i>71.00</i>	<i>35.00</i>	<i>-42.00</i>
117	36" x 27"	<i>628.00</i>	<i>36.00</i>	<i>36.00</i>	<i>71.00</i>	<i>53.00</i>	<i>-46.00</i>
118	36" x 28"	<i>640.00</i>	<i>36.00</i>	<i>36.00</i>	<i>71.00</i>	<i>53.00</i>	<i>-46.00</i>
119	36" x 30"	<i>718.00</i>	<i>36.00</i>	<i>36.00</i>	<i>71.00</i>	<i>55.00</i>	<i>-46.00</i>
120	36" x 32"	<i>738.00</i>	<i>36.00</i>	<i>36.00</i>	<i>71.00</i>	<i>55.00</i>	<i>-46.00</i>

- Mullion Unit (Single Unit times 2 plus)..... ADD **\$15.00**
- Triple Unit (Single Unit times 3 plus) ..... ADD **28.00**
- Quad Unit (Single Unit times 4 plus) ..... ADD **40.00**
- Quint Unit (Single Unit times 5 plus)..... ADD **45.00**
- Add for *Single Stud Pocket* (per pocket) ..... ADD **23.00**
- \* Add for *Special Stud Pocket* (per pocket)..... ADD **31.00**

Brasstone Sash Lock Applied - each ..... ADD **17.00**  
 Double-Hung "Open Frame" Pricing - please call BROSCO.

Maximize your window's performance by adding a LARSON® Storm Window – See LARSON Storm & Venting Products (Tab LAR)

#### OPTIONAL CASING & OTHER OPTIONS - PAGE BI-11

**NOTES:** \* Not Applied.  
 ◇ 3<sup>3</sup>/<sub>4</sub>" Sill horns will be used unless otherwise specified.  
 ♠ Extension Jambs for Stud Pocket Units surround the individual units (sides & top).  
 ♣ Extension Jamb adder applies to single units only. For all other configurations, see options page BI-11.  
 \* Mull casing not included.  
 Units greater than 12'-0" width utilizing Composite or Cedar Flat Casing will have a butt joint.  
 Items priced in *Italics* are Factory Order – Please allow additional lead time.



# BROSCO Insulating Window Unit

## SIZE CHART & PRICING



### Low-E INSULATING GLASS with ARGON GAS

**Basic Unit Features:**

- **Frame** – 4<sup>9</sup>/<sub>16</sub>" Clear Side Jambs, Treated and Primed. **Composite Blind Stop.**
- **Sill** – **Composite Sill and Nosing.**
- **Casing** – **Composite Brickmould** standard.
- **Sash** – 1<sup>3</sup>/<sub>8</sub>" Thick, with 3/4" Low "E" Insulating Glass with Argon.  
Wood Sash: Primed Exterior, Clear Pine Interior
- Tilt 'n Clean Block & Tackle Balance System with Vinyl Jamb Liners (specify beige or white)
- Weatherstripped Head Parting Stop
- Pine Inside Stops – Sides & Sill
- Cam Sash Lock applied (white)  
2 per sash when glass size is 27" or wider

### COTTAGE STYLE

Rough Opening			2'-3"	2'-3"	2'-6"	2'-6"	2'-6"	2'-10"
● Sash Opening			2'-0 5/8"	2'-0 5/8"	2'-3 5/8"	2'-3 5/8"	2'-3 5/8"	2'-7 5/8"
★ Glass Size			21"	21"	24"	24"	24"	28"
Light Size			7" x 8"	7" x 8"	6" x 8"	8" x 10"	8" x 10"	7" x 9"
↓ ↓ ↓								
			6/9 Light	9/6 Light	8/12 Light	6/9 Light	9/6 Light	8/12 Light
4'-1"	3'-9"	16"/24"	—	—	3 24" x 16/24"	—	—	—
4'-6"	4'-2"	18"/27", 27"/18"	1 21" x 18"/27"	2 21" x 27"/18"	—	—	—	6 28" x 18"/27"
4'-11"	4'-7"	20"/30", 30"/20"	—	—	—	4 24" x 20/30"	5 24" x 30/20"	—

● Actual sash width = sash opening width minus 1<sup>9</sup>/<sub>16</sub>". Light cuts are shown for Optional Wood Grilles, GBG or SDL.  
 ★ Glass sizes are approximate.

Illustrations not to scale.

COTTAGE		Set-Up Units with Brickmould Casing	Set-Up Unit Options				
Unit Description (Glass Size)		Wood Sash	*ADD Full Screen (White Frame)	ADD 6 <sup>9</sup> / <sub>16</sub> " Ext. Jambs (Applied) ♠ ♣	*ADD Wood Grilles	ADD Composite Flat Casing 1 <sup>1</sup> / <sub>16</sub> " x 3 <sup>3</sup> / <sub>4</sub> "	◇ DEDUCT No Casing
		Low "E" IG w/Argon 1/1					
1	21" x 18"/27"	<i>\$487.00</i>	<b>\$20.00</b>	<b>\$36.00</b>	<i>\$66.00</i>	<b>\$33.00</b>	<b>-\$39.00</b>
2	21" x 27"/18"	<i>487.00</i>	<b>20.00</b>	<b>36.00</b>	<i>66.00</i>	<b>33.00</b>	<b>-39.00</b>
3	24" x 16"/24"	<i>506.00</i>	<b>20.00</b>	<b>36.00</b>	<i>86.00</i>	<b>33.00</b>	<b>-38.00</b>
4	24" x 20"/30"	<i>561.00</i>	<b>36.00</b>	<b>36.00</b>	<i>66.00</i>	<b>33.00</b>	<b>-42.00</b>
5	24" x 30"/20"	<i>561.00</i>	<b>22.00</b>	<b>36.00</b>	<i>66.00</i>	<b>33.00</b>	<b>-42.00</b>
6	28" x 18"/27"	<i>519.00</i>	<b>32.00</b>	<b>36.00</b>	<i>86.00</i>	<b>33.00</b>	<b>-39.00</b>

- Mullion Unit (Single Unit times 2 plus)..... ADD \$ **15.00**
- Triple Unit (Single Unit times 3 plus) ..... ADD **28.00**
- Quad Unit (Single Unit times 4 plus) ..... ADD **40.00**
- Quint Unit (Single Unit times 5 plus)..... ADD **45.00**
- Add for *Single Stud Pocket* (per pocket) ..... ADD **23.00**
- \* Add for *Special Stud Pocket* (per pocket) ..... ADD **31.00**

Brasstone Sash Lock Applied - each ..... ADD **17.00**

Double-Hung "Open Frame" Pricing - please call BROSCO.

Maximize your window's performance by adding a LARSON® Storm Window – See LARSON Storm & Venting Products (Tab LAR)

### OPTIONAL CASING & OTHER OPTIONS - PAGE BI-11

**NOTES:**

- \* Not Applied.
- ◇ 3<sup>3</sup>/<sub>4</sub>" Sill horns will be used unless otherwise specified.
- ♠ Extension Jambs for Stud Pocket Units surround the individual units (sides & top).
- ♣ Extension Jamb adder applies to single units only. For all other configurations, see options page BI-11.
- \* Mull casing not included.

Units greater than 12'-0" width utilizing Composite or Cedar Flat Casing will have a butt joint.  
 Items priced in *Italics* are Factory Order – Please allow additional lead time.

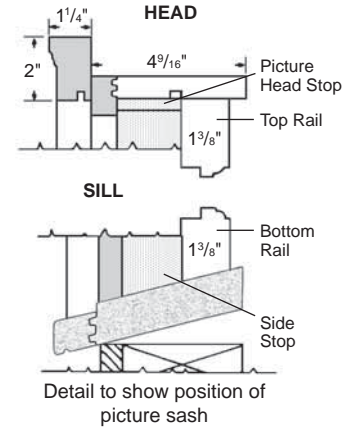


### Low-E INSULATING GLASS with ARGON GAS – PICTURE UNITS

**Basic Unit Features:**

- **Frame** – 4<sup>9</sup>/<sub>16</sub>" Clear Side Jamb, Treated and Primed. **Composite Blind Stop.**
  - **Sill** – **Composite Sill and Nosing.**
  - **Casing** – **Composite Brickmould** standard.
  - **Sash** – 1<sup>3</sup>/<sub>8</sub>" Thick, with 3/4" Low "E" Insulating Glass with Argon.
- Wood Sash: Primed Exterior, Clear Pine Interior
- Composite Picture Stops – Head & Sides
  - Interior Sash Stops by others

Rough Opening	Sash Opening	★ Glass Size		3'-6 1/8"	3'-10 1/2"	4'-6 1/2"	5'-2 1/2"	5'-10 1/2"	
↓	↓	↓							
				16 Light	16 Light	20 Light	24 Light	32 Light	
3'-5"	3'-1"	32 3/4"	1	3'-3 <sup>5</sup> / <sub>8</sub> " x 3'-1"	6	3'-8" x 3'-1"	11	4'-4" x 3'-1"	
4'-1"	3'-9"	40 3/4"	2	3'-3 <sup>5</sup> / <sub>8</sub> " x 3'-9"	7	3'-8" x 3'-9"	12	4'-4" x 3'-9"	
4'-5"	4'-1"	44 3/4"	3	3'-3 <sup>5</sup> / <sub>8</sub> " x 4'-1"	8	3'-8" x 4'-1"	13	4'-4" x 4'-1"	
4'-9"	4'-5"	48 3/4"	4	3'-3 <sup>5</sup> / <sub>8</sub> " x 4'-5"	9	3'-8" x 4'-5"	14	4'-4" x 4'-5"	
5'-1"	4'-9"	52 3/4"	5	3'-3 <sup>5</sup> / <sub>8</sub> " x 4'-9"	10	3'-8" x 4'-9"	15	4'-4" x 4'-9"	
				6	3'-8" x 3'-1"	11	4'-4" x 3'-1"	16	5'-0" x 3'-1"
				7	3'-8" x 3'-9"	12	4'-4" x 3'-9"	17	5'-0" x 3'-9"
				8	3'-8" x 4'-1"	13	4'-4" x 4'-1"	18	5'-0" x 4'-1"
				9	3'-8" x 4'-5"	14	4'-4" x 4'-5"	19	5'-0" x 4'-5"
				10	3'-8" x 4'-9"	15	4'-4" x 4'-9"	20	5'-0" x 4'-9"
				21	5'-8" x 3'-1"	22	5'-8" x 3'-9"	23	5'-8" x 4'-1"
				24	5'-8" x 4'-5"	25	5'-8" x 4'-9"		



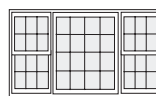
★ Glass sizes are approximate.

Light cuts are shown for Optional Wood Grilles, GBG or SDL

PICTURE		Set-Up Units with Brickmould Casing	Set-Up Unit Options			
		Wood Sash				
Unit Description (Glass Size)		Low "E" IG w/Argon 1/1	ADD 6 <sup>9</sup> / <sub>16</sub> " Ext. Jamb (Applied) ♠ ♣	*ADD Wood Grilles	ADD Composite Flat Casing 1 <sup>1</sup> / <sub>16</sub> " x 3 <sup>3</sup> / <sub>4</sub> "	◇ DEDUCT No Casing
1	3'-3 <sup>5</sup> / <sub>8</sub> " x 3'-1"	\$ 751.00	\$66.00	\$ 77.00	\$25.00	-\$34.00
2	3'-3 <sup>5</sup> / <sub>8</sub> " x 3'-9"	801.00	66.00	85.00	33.00	-38.00
3	3'-3 <sup>5</sup> / <sub>8</sub> " x 4'-1"	750.00	66.00	87.00	33.00	-38.00
4	3'-3 <sup>5</sup> / <sub>8</sub> " x 4'-5"	848.00	66.00	89.00	34.00	-40.00
5	3'-3 <sup>5</sup> / <sub>8</sub> " x 4'-9"	873.00	66.00	91.00	35.00	-42.00
6	3'-8" x 3'-1"	844.00	66.00	83.00	29.00	-51.00
7	3'-8" x 3'-9"	820.00	66.00	86.00	37.00	-55.00
8	3'-8" x 4'-1"	916.00	66.00	88.00	37.00	-55.00
9	3'-8" x 4'-5"	941.00	66.00	90.00	38.00	-57.00
10	3'-8" x 4'-9"	984.00	66.00	92.00	39.00	-59.00
11	4'-4" x 3'-1"	890.00	66.00	96.00	29.00	-51.00
12	4'-4" x 3'-9"	859.00	66.00	99.00	37.00	-55.00
13	4'-4" x 4'-1"	894.00	66.00	101.00	37.00	-55.00
14	4'-4" x 4'-5"	915.00	66.00	103.00	38.00	-57.00
15	4'-4" x 4'-9"	1029.00	66.00	105.00	39.00	-59.00
16	5'-0" x 3'-1"	935.00	66.00	103.00	29.00	-51.00
17	5'-0" x 3'-9"	1002.00	66.00	116.00	37.00	-55.00
18	5'-0" x 4'-1"	933.00	66.00	118.00	37.00	-55.00
19	5'-0" x 4'-5"	955.00	66.00	120.00	38.00	-57.00
20	5'-0" x 4'-9"	1075.00	66.00	122.00	39.00	-59.00
21	5'-8" x 3'-1"	1011.00	66.00	134.00	29.00	-51.00
22	5'-8" x 3'-9"	966.00	66.00	150.00	37.00	-55.00
23	5'-8" x 4'-1"	985.00	66.00	153.00	37.00	-55.00
24	5'-8" x 4'-5"	1007.00	66.00	155.00	38.00	-57.00
25	5'-8" x 4'-9"	1156.00	66.00	161.00	39.00	-59.00

For Optional Casings and other options (including 6<sup>9</sup>/<sub>16</sub>" Extension Jamb) – Page BI-11.

**Picture Sash** – Shipped loose in frame to facilitate unit installation.



To price Picture Unit w/Double-Hung Flankers – Single Unit times 2 plus Picture Unit plus Triple Mull charge.

- NOTES:**
- \* Not Applied.
  - ◇ 3<sup>3</sup>/<sub>4</sub>" Sill horns will be used unless otherwise specified.
  - ♠ Extension Jamb for Stud Pocket Units surround the individual units (sides & top).
  - ♣ Extension Jamb adder applies to single units only. For all other configurations, see options page BI-11.
- Units greater than 12'-0" width utilizing Composite or Cedar Flat Casing will have a butt joint.



# BROSCO Insulating Window Unit TRANSOMS



**BROSCO Transom Units are completely assembled and mullied above BROSCO Double-Hung Units.  
If a "stand alone" Unit is desired, please refer to the BROSCO Stationary Window Set-up below.**

## 1 LIGHT RECTANGULAR TRANSOM

Rough Opening	2'-2"	2'-6"	2'-9"	2'-10"	3'-0"
★Glass Size	20"	24"	27"	28"	30"
↓					
Varies †	20" x 20"	24" x 20"	27" x 20"	28" x 20"	30" x 20"

Set-up Transom Frame	\$265.00
Applied Optional Extras:	
Composite Brickmould Casing	<b>62.00</b>
Composite Cape Cod Flat Casing 1 <sup>1</sup> / <sub>16</sub> " x 4 <sup>1</sup> / <sub>2</sub> "	<b>66.00</b>
Composite Flat Casing 1 <sup>1</sup> / <sub>16</sub> " x 3 <sup>3</sup> / <sub>4</sub> "	<b>108.00</b>
Primed Wood Flat Casing 1 <sup>1</sup> / <sub>16</sub> " x 5 <sup>1</sup> / <sub>4</sub> "	<b>98.00</b>
Cedar Sill & Flat Casing 1 <sup>1</sup> / <sub>16</sub> " x 3 <sup>3</sup> / <sub>4</sub> "	<b>252.00</b>
6 <sup>9</sup> / <sub>16</sub> " Extension Jambes	<b>66.00</b>

Glass size noted under each illustration indicates Double-Hung size to be used with corresponding Transom.

★ Glass sizes are approximate.

Light cuts are shown for Optional Wood Grilles, GBG or SDL

† Combined Transom/Double-Hung rough opening height formula: Transom glass height plus overall Double-Hung glass height plus 13<sup>1</sup>/<sub>4</sub>".

HOW-TO-ORDER
1. Start with Double-Hung unit of your choice
A. Deduct for No Casing
B. Add for Accessories (Screens, Grilles)
2. Add for Low "E" Insulating Sash
3. Add "Set-up Transom Frame" charge
4. Add for <u>complete unit</u> casing
5. Select wall thickness (4 <sup>9</sup> / <sub>16</sub> " standard, 6 <sup>9</sup> / <sub>16</sub> " optional)

PRICING EXAMPLE	
1. 27 x 24 1/1 Wood Low "E" Insulating glass unit w/Brickmould (page BI-6)	<b>\$498.00</b>
A. No Casing	DEDUCT <b>-40.00</b>
B. Full Screens	ADD <b>22.00</b>
2. 27 x 24 1/1 Wood Low "E" Insulating Sash only (pair price) (page BI-13)	ADD <b>261.00</b>
3. Set-up Frame (above)	ADD <b>265.00</b>
4. Brickmould Casing (above)	ADD <b>62.00</b>
5. 4 <sup>9</sup> / <sub>16</sub> " wall thickness	-
<b>TOTAL</b>	<b>\$1068.00</b>

Illustrations not to scale.

## Set-up Stationary Window Unit with Standard Double-Hung Sill and Brickmould Casing

EXAMPLE:

- |  |            |
|--|------------|
| 1. Sash ONLY   | 1. \$_____ |
| a. Sash Low "E" Insulating Glass (pair price) - pages BI-12 thru 15                                |            |
| 2. Set-up Stationary Frame with Primed Brickmould Casing:<br>(select an overall glass width below) | 2. _____   |



w/Brickmould

Overall Glass Width									
16"	18"	20"	21"	24"	27"	28"	30"	32"	36"
<b>\$168.00</b>	<b>\$172.00</b>	<b>\$174.00</b>	<b>\$175.00</b>	<b>\$178.00</b>	<b>\$181.00</b>	<b>\$182.00</b>	<b>\$184.00</b>	<b>\$186.00</b>	<b>\$191.00</b>

- |  |                |
|--|----------------|
| 3. Casing Options:   | 3. _____       |
| a. Extra for Composite Cape Cod Flat Casing 1 <sup>1</sup> / <sub>16</sub> " x 4 <sup>1</sup> / <sub>2</sub> " | <b>\$36.00</b> |
| b. Extra for Composite Flat Casing 1 <sup>1</sup> / <sub>16</sub> " x 3 <sup>3</sup> / <sub>4</sub> "          | <b>42.00</b>   |
| c. Extra for Primed Wood Flat Casing 1 <sup>1</sup> / <sub>16</sub> " x 5 <sup>1</sup> / <sub>4</sub> "        | <b>16.00</b>   |
| d. Extra for Cedar Sill & Cedar Flat Casing 1 <sup>1</sup> / <sub>16</sub> " x 3 <sup>3</sup> / <sub>4</sub> " | <b>121.00</b>  |
| e. DEDUCT for No Casing  | <b>-37.00</b>  |



w/Flat Casing

- |  |                |
|--|----------------|
| 4. ADD for 6 <sup>9</sup> / <sub>16</sub> " Extension Jambes - applied | 4. _____       |
|  | <b>36.00</b>   |
| <b>Total</b>   | <b>\$_____</b> |

Stationary Window Unit Rough Openings & Unit Dimensions (Boston Layout)	Low "E" Insulating Glass	
	Width	Height
Rough Opening = Glass plus	6"	6 <sup>5</sup> / <sub>16</sub> "
Unit Dimension = Glass plus	4 <sup>7</sup> / <sub>8</sub> "	5 <sup>3</sup> / <sub>16</sub> "
Brickmould Casing = Glass plus	7 <sup>5</sup> / <sub>8</sub> "	7 <sup>5</sup> / <sub>16</sub> "
Flat Casing - 3 <sup>3</sup> / <sub>4</sub> " = Glass plus	11"	8 <sup>7</sup> / <sub>8</sub> "
Flat Casing - 5 <sup>1</sup> / <sub>4</sub> " = Glass plus	14"	10 <sup>3</sup> / <sub>8</sub> "
Cape Cod Casing - 4 <sup>1</sup> / <sub>2</sub> " = Glass plus	12 <sup>3</sup> / <sub>4</sub> "	9 <sup>7</sup> / <sub>16</sub> "

**BROSCO Stationary Window Units are for those applications where a "stand alone" stationary unit is desired.  
If a TRANSOM Unit for BROSCO Double-Hung Windows is desired, see above.**



# BROSCO Insulating Window Unit OPTIONS



Casing Options	Single	Mullion	Triple	Quad	Quint	Stat Picture	Picture w/Flankers
COMPOSITE CAPE COD FLAT CASING 1 <sup>1</sup> / <sub>16</sub> " x 4 <sup>1</sup> / <sub>2</sub> " (ADD to price of a Basic Unit with BRICKMOULD)	\$ 24.00	\$ 26.00	\$ 33.00	\$ 37.00	\$ 45.00	\$ 19.00	\$ 33.00
PRIMED WOOD FLAT CASING 1 <sup>1</sup> / <sub>16</sub> " x 5 <sup>1</sup> / <sub>4</sub> " (ADD to price of a Basic Unit with FLAT CASING)							
<b>HEAD ONLY</b> with 1 <sup>1</sup> / <sub>16</sub> " x 3 <sup>3</sup> / <sub>4</sub> " COMPOSITE SIDES	3.00	3.00	4.00	3.00	3.75	34.00	4.00
<b>HEAD and SIDES</b> (Includes add for appropriate Long Sill Horns)	26.00	35.00	36.00	35.00	45.75	57.00	36.00
<b>CEDAR SILL and CEDAR FLAT CASING *</b> (ADD to price of a Basic Unit with BRICKMOULD) 1 <sup>1</sup> / <sub>16</sub> " x 3 <sup>3</sup> / <sub>4</sub> " HEAD & SIDES	144.00	319.00	460.00	626.00	792.50	250.00	460.00
ADD for Rip FLAT CASING (specify "Rip To" Width):	27.00	27.00	27.00	27.00	27.00	27.00	27.00

Sill Options	Single	Mullion	Triple	Quad	Quint	Stat Picture	Picture w/Flankers
"HISTORIC" SILL NOSING (see Page BI-3)							
– COMPOSITE	\$26.00	\$ 50.00	\$ 70.00	\$ 77.00	\$106.00	\$ 50.00	\$ 70.00
– CEDAR ‡	87.00	115.00	144.00	217.00	313.00	115.00	144.00
LONG SILL HORNS (OVER 4 <sup>1</sup> / <sub>2</sub> " thru 10") – COMPOSITE	27.00	36.00	36.00	36.00	46.00	27.00	36.00
(ADD to price of a unit with "No Casing") – CEDAR ‡	47.00	51.00	51.00	51.00	93.00	51.00	51.00
<b>CEDAR SILL and STANDARD CEDAR NOSING ONLY</b> (w/Composite Brickmould Casing) (ADD to price of a Basic Unit with BRICKMOULD)	59.00	138.00	191.00	288.00	370.00	173.00	191.00

Miscellaneous Options	Single	Mullion	Triple	Quad	Quint	Stat Picture	Picture w/Flankers
<b>BRASSTONE SASH LOCKS (Applied):</b> For units with glass 27" or wider: Times 2	\$17.00	\$34.00	\$ 51.00	\$ 68.00	\$ 85.00	–	\$ 34.00
<b>EXTENSION JAMBS APPLIED (6<sup>3</sup>/<sub>16</sub>" Wall)</b>							
– NARROW	36.00	66.00	81.00	98.00	108.00	\$66.00	81.00
– w/STUD POCKET ♠	–	72.00	108.00	144.00	180.00	–	108.00
ADD for Stainless Steel Nails (Composite or Primed Casing)		\$11.00					

\* Cedar Casing option includes Stainless Steel Fasteners.

♠ Extension Jambs for Stud Pocket Units surround the individual units (sides & top).

‡ Cedar Nosing options are only compatible with Cedar Sill options.

Units greater than 12'-0" width utilizing Composite or Cedar Flat Casing will have a butt joint.

## SASH ONLY – BALANCES – SASH PACK REPLACEMENT KITS

Sash Opening Glass Size	1'-7 5/8"		1'-9 5/8"		1'-11 5/8"		2'-0 5/8"		2'-3 5/8"		2'-6 5/8"		2'-7 5/8"		2'-9 5/8"		2'-11 5/8"		3'-3 5/8"	
	16"	18"	20"	21"	24"	27"	28"	30"	32"	36"	36"	36"	36"	36"	36"	36"	36"	36"	36"	36"
2'-5" 12"	1	16" x 12"	13	18" x 12"	25	20" x 12"	37	21" x 12"	49	24" x 12"	61	27" x 12"	73	28" x 12"	85	30" x 12"	97	32" x 12"	109	36" x 12"
2'-9" 14"	2	16" x 14"	14	18" x 14"	26	20" x 14"	38	21" x 14"	50	24" x 14"	62	27" x 14"	74	28" x 14"	86	30" x 14"	98	32" x 14"	110	36" x 14"
3'-1" 16"	3	16" x 16"	15	18" x 16"	27	20" x 16"	39	21" x 16"	51	24" x 16"	63	27" x 16"	75	28" x 16"	87	30" x 16"	99	32" x 16"	111	36" x 16"
3'-5" 18"	4	16" x 18"	16	18" x 18"	28	20" x 18"	40	21" x 18"	52	24" x 18"	64	27" x 18"	76	28" x 18"	88	30" x 18"	100	32" x 18"	112	36" x 18"
3'-9" 20"	5	16" x 20"	17	18" x 20"	29	20" x 20"	41	21" x 20"	53	24" x 20"	65	27" x 20"	77	28" x 20"	89	30" x 20"	101	32" x 20"	113	36" x 20"
4'-1" 22"	6	16" x 22"	18	18" x 22"	30	20" x 22"	42	21" x 22"	54	24" x 22"	66	27" x 22"	78	28" x 22"	90	30" x 22"	102	32" x 22"	114	36" x 22"
4'-5" 24"	7	16" x 24"	19	18" x 24"	31	20" x 24"	43	21" x 24"	55	24" x 24"	67	27" x 24"	79	28" x 24"	91	30" x 24"	103	32" x 24"	115	36" x 24"
4'-9" 26"	8	16" x 26"	20	18" x 26"	32	20" x 26"	44	21" x 26"	56	24" x 26"	68	27" x 26"	80	28" x 26"	92	30" x 26"	104	32" x 26"	116	36" x 26"
4'-11" 27"	9	16" x 27"	21	18" x 27"	33	20" x 27"	45	21" x 27"	57	24" x 27"	69	27" x 27"	81	28" x 27"	93	30" x 27"	105	32" x 27"	117	36" x 27"
5'-1" 28"	10	16" x 28"	22	18" x 28"	34	20" x 28"	46	21" x 28"	58	24" x 28"	70	27" x 28"	82	28" x 28"	94	30" x 28"	106	32" x 28"	118	36" x 28"
5'-5" 30"	11	16" x 30"	23	18" x 30"	35	20" x 30"	47	21" x 30"	59	24" x 30"	71	27" x 30"	83	28" x 30"	95	30" x 30"	107	32" x 30"	119	36" x 30"
5'-9" 32"	12	16" x 32"	24	18" x 32"	36	20" x 32"	48	21" x 32"	60	24" x 32"	72	27" x 32"	84	28" x 32"	96	30" x 32"	108	32" x 32"	120	36" x 32"

For window units 85-120, refer to page BI-14.

Sash are prefit in Width: 1/16", Height: 3/32"

Light cuts are shown for Optional Wood Grilles, GBG or SDL

Illustrations not to scale.

1/1 LIGHT		Wood Sash	Tilt 'n Clean Balances Block & Tackle (White or Beige)
Sash Size	Glass Size	Low "E" IG w/Argon 1/1	
1	1'-7 5/8" x 2'-5"	16" x 12"	\$183.00
2	1'-7 5/8" x 2'-9"	16" x 14"	198.00
3	1'-7 5/8" x 3'-1"	16" x 16"	181.00
4	1'-7 5/8" x 3'-5"	16" x 18"	225.00
5	1'-7 5/8" x 3'-9"	16" x 20"	205.00
6	1'-7 5/8" x 4'-1"	16" x 22"	216.00
7	1'-7 5/8" x 4'-5"	16" x 24"	229.00
8	1'-7 5/8" x 4'-9"	16" x 26"	279.00
9	1'-7 5/8" x 4'-11"	16" x 27"	285.00
10	1'-7 5/8" x 5'-1"	16" x 28"	293.00
11	1'-7 5/8" x 5'-5"	16" x 30"	306.00
12	1'-7 5/8" x 5'-9"	16" x 32"	319.00
13	1'-9 5/8" x 2'-5"	18" x 12"	191.00
14	1'-9 5/8" x 2'-9"	18" x 14"	204.00
15	1'-9 5/8" x 3'-1"	18" x 16"	187.00
16	1'-9 5/8" x 3'-5"	18" x 18"	232.00
17	1'-9 5/8" x 3'-9"	18" x 20"	245.00
18	1'-9 5/8" x 4'-1"	18" x 22"	259.00
19	1'-9 5/8" x 4'-5"	18" x 24"	239.00
20	1'-9 5/8" x 4'-9"	18" x 26"	269.00
21	1'-9 5/8" x 4'-11"	18" x 27"	293.00
22	1'-9 5/8" x 5'-1"	18" x 28"	300.00
23	1'-9 5/8" x 5'-5"	18" x 30"	309.00
24	1'-9 5/8" x 5'-9"	18" x 32"	328.00
25	1'-11 5/8" x 2'-5"	20" x 12"	198.00
26	1'-11 5/8" x 2'-9"	20" x 14"	211.00
27	1'-11 5/8" x 3'-1"	20" x 16"	194.00
28	1'-11 5/8" x 3'-5"	20" x 18"	238.00
29	1'-11 5/8" x 3'-9"	20" x 20"	216.00
30	1'-11 5/8" x 4'-1"	20" x 22"	229.00
31	1'-11 5/8" x 4'-5"	20" x 24"	240.00
32	1'-11 5/8" x 4'-9"	20" x 26"	257.00
33	1'-11 5/8" x 4'-11"	20" x 27"	300.00
34	1'-11 5/8" x 5'-1"	20" x 28"	268.00
35	1'-11 5/8" x 5'-5"	20" x 30"	358.00
36	1'-11 5/8" x 5'-9"	20" x 32"	374.00

### For Sash Pack Replacement Kit\*\*

ADD pair of Sash only plus set Tilt 'n Clean Block & Tackle Balances plus Sash Lock(s) plus \$27.00

Shop Item – Allow additional time

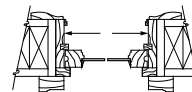
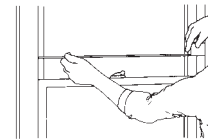
### Sash Locks (not applied)

White \$4.70 each  
Brasstone \$21.90 each

Allow 2 sash locks for glass size 27" or wider

### HOW TO MEASURE FOR REPLACEMENT SASH

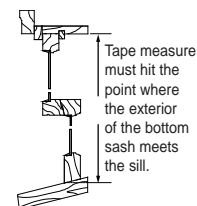
From inside the house, first measure the width of the window sash you are replacing. Measure from inside the window opening from jamb to jamb (wood to wood).



Be sure to measure from the surface of one side jamb to the other, not from the stop or parting bead.



To measure window opening height, lower the top sash a few inches and "thread" your tape measure between the sash.



Carefully measure the window height from the point where the top sash meets the head jamb to the point where the exterior of the bottom sash meets the sill.

\*\* Head Parting Stop color matched to balances.



# BROSCO Insulating Window Unit



## SASH ONLY – BALANCES – SASH PACK REPLACEMENT KITS

1/1 LIGHT		Wood Sash	Tilt 'n Clean Balances Block & Tackle (White or Beige)	
Sash Size	Glass Size	Low "E" IG w/Argon 1/1		
37	2'-0 <sup>5</sup> / <sub>8</sub> " x 2'-5"	21" x 12"	<i>\$201.00</i>	<b>\$46.00</b>
38	2'-0 <sup>5</sup> / <sub>8</sub> " x 2'-9"	21" x 14"	<i>214.00</i>	<b>48.00</b>
39	2'-0 <sup>5</sup> / <sub>8</sub> " x 3'-1"	21" x 16"	<i>229.00</i>	<b>49.00</b>
40	2'-0 <sup>5</sup> / <sub>8</sub> " x 3'-5"	21" x 18"	<i>208.00</i>	<b>52.00</b>
41	2'-0 <sup>5</sup> / <sub>8</sub> " x 3'-9"	21" x 20"	<i>255.00</i>	<b>53.00</b>
42	2'-0 <sup>5</sup> / <sub>8</sub> " x 4'-1"	21" x 22"	<i>269.00</i>	<b>56.00</b>
43	2'-0 <sup>5</sup> / <sub>8</sub> " x 4'-5"	21" x 24"	<i>282.00</i>	<b>60.00</b>
44	2'-0 <sup>5</sup> / <sub>8</sub> " x 4'-9"	21" x 26"	<i>297.00</i>	<b>63.00</b>
45	2'-0 <sup>5</sup> / <sub>8</sub> " x 4'-11"	21" x 27"	<i>303.00</i>	<b>63.00</b>
46	2'-0 <sup>5</sup> / <sub>8</sub> " x 5'-1"	21" x 28"	<i>310.00</i>	<b>65.00</b>
47	2'-0 <sup>5</sup> / <sub>8</sub> " x 5'-5"	21" x 30"	<i>323.00</i>	<b>68.00</b>
48	2'-0 <sup>5</sup> / <sub>8</sub> " x 5'-9"	21" x 32"	<i>337.00</i>	<b>72.00</b>
49	2'-3 <sup>5</sup> / <sub>8</sub> " x 2'-5"	24" x 12"	<i>181.00</i>	<b>46.00</b>
50	2'-3 <sup>5</sup> / <sub>8</sub> " x 2'-9"	24" x 14"	<i>194.00</i>	<b>48.00</b>
51	2'-3 <sup>5</sup> / <sub>8</sub> " x 3'-1"	24" x 16"	<i>205.00</i>	<b>49.00</b>
52	2'-3 <sup>5</sup> / <sub>8</sub> " x 3'-5"	24" x 18"	<i>216.00</i>	<b>52.00</b>
53	2'-3 <sup>5</sup> / <sub>8</sub> " x 3'-9"	24" x 20"	<i>229.00</i>	<b>53.00</b>
54	2'-3 <sup>5</sup> / <sub>8</sub> " x 4'-1"	24" x 22"	<i>240.00</i>	<b>56.00</b>
55	2'-3 <sup>5</sup> / <sub>8</sub> " x 4'-5"	24" x 24"	<i>252.00</i>	<b>60.00</b>
56	2'-3 <sup>5</sup> / <sub>8</sub> " x 4'-9"	24" x 26"	<i>264.00</i>	<b>63.00</b>
57	2'-3 <sup>5</sup> / <sub>8</sub> " x 4'-11"	24" x 27"	<i>313.00</i>	<b>63.00</b>
58	2'-3 <sup>5</sup> / <sub>8</sub> " x 5'-1"	24" x 28"	<i>275.00</i>	<b>65.00</b>
59	2'-3 <sup>5</sup> / <sub>8</sub> " x 5'-5"	24" x 30"	<i>293.00</i>	<b>68.00</b>
60	2'-3 <sup>5</sup> / <sub>8</sub> " x 5'-9"	24" x 32"	<i>371.00</i>	<b>72.00</b>
61	2'-6 <sup>5</sup> / <sub>8</sub> " x 2'-5"	27" x 12"	<i>221.00</i>	<b>46.00</b>
62	2'-6 <sup>5</sup> / <sub>8</sub> " x 2'-9"	27" x 14"	<i>235.00</i>	<b>48.00</b>
63	2'-6 <sup>5</sup> / <sub>8</sub> " x 3'-1"	27" x 16"	<i>213.00</i>	<b>49.00</b>
64	2'-6 <sup>5</sup> / <sub>8</sub> " x 3'-5"	27" x 18"	<i>226.00</i>	<b>52.00</b>
65	2'-6 <sup>5</sup> / <sub>8</sub> " x 3'-9"	27" x 20"	<i>237.00</i>	<b>53.00</b>
66	2'-6 <sup>5</sup> / <sub>8</sub> " x 4'-1"	27" x 22"	<i>248.00</i>	<b>56.00</b>
67	2'-6 <sup>5</sup> / <sub>8</sub> " x 4'-5"	27" x 24"	<i>261.00</i>	<b>60.00</b>
68	2'-6 <sup>5</sup> / <sub>8</sub> " x 4'-9"	27" x 26"	<i>272.00</i>	<b>63.00</b>
69	2'-6 <sup>5</sup> / <sub>8</sub> " x 4'-11"	27" x 27"	<i>323.00</i>	<b>63.00</b>
70	2'-6 <sup>5</sup> / <sub>8</sub> " x 5'-1"	27" x 28"	<i>284.00</i>	<b>65.00</b>
71	2'-6 <sup>5</sup> / <sub>8</sub> " x 5'-5"	27" x 30"	<i>296.00</i>	<b>68.00</b>
72	2'-6 <sup>5</sup> / <sub>8</sub> " x 5'-9"	27" x 32"	<i>357.00</i>	<b>72.00</b>
73	2'-7 <sup>5</sup> / <sub>8</sub> " x 2'-5"	28" x 12"	<i>225.00</i>	<b>46.00</b>
74	2'-7 <sup>5</sup> / <sub>8</sub> " x 2'-9"	28" x 14"	<i>205.00</i>	<b>48.00</b>
75	2'-7 <sup>5</sup> / <sub>8</sub> " x 3'-1"	28" x 16"	<i>216.00</i>	<b>49.00</b>
76	2'-7 <sup>5</sup> / <sub>8</sub> " x 3'-5"	28" x 18"	<i>246.00</i>	<b>52.00</b>
77	2'-7 <sup>5</sup> / <sub>8</sub> " x 3'-9"	28" x 20"	<i>240.00</i>	<b>53.00</b>
78	2'-7 <sup>5</sup> / <sub>8</sub> " x 4'-1"	28" x 22"	<i>257.00</i>	<b>56.00</b>
79	2'-7 <sup>5</sup> / <sub>8</sub> " x 4'-5"	28" x 24"	<i>264.00</i>	<b>60.00</b>
80	2'-7 <sup>5</sup> / <sub>8</sub> " x 4'-9"	28" x 26"	<i>275.00</i>	<b>63.00</b>
81	2'-7 <sup>5</sup> / <sub>8</sub> " x 4'-11"	28" x 27"	<i>303.00</i>	<b>63.00</b>
82	2'-7 <sup>5</sup> / <sub>8</sub> " x 5'-1"	28" x 28"	<i>287.00</i>	<b>65.00</b>
83	2'-7 <sup>5</sup> / <sub>8</sub> " x 5'-5"	28" x 30"	<i>327.00</i>	<b>68.00</b>
84	2'-7 <sup>5</sup> / <sub>8</sub> " x 5'-9"	28" x 32"	<i>378.00</i>	<b>72.00</b>

**For Sash Pack Replacement Kit\*\***

ADD pair of Sash only plus set Tilt 'n Clean Block & Tackle Balances plus Sash Lock(s) plus **\$27.00**

Shop Item – Allow additional time

**Sash Locks (not applied)**

**White** \$4.70 each  
**Brasstone** \$21.90 each

Allow 2 sash locks for glass size 27" or wider

Maximize your window's performance by adding a LARSON® Storm Window – See LARSON Storm & Venting Products (Tab LAR)

When replacing sash in homes built prior to 1978, please be aware of Lead-Safe practices.



Visit <http://epa.gov/lead> for more information.

\*\* Head Parting Stop color matched to balances.

**NOTES:** Items priced in *Italics* are Factory Order – Please allow additional lead time.



## SASH ONLY – BALANCES – SASH PACK REPLACEMENT KITS

Sash Opening Glass Size	1'-7 5/8"	1'-9 5/8"	1'-11 5/8"	2'-0 5/8"	2'-3 5/8"	2'-6 5/8"	2'-7 5/8"	2'-9 5/8"	2'-11 5/8"	3'-3 5/8"
	16"	18"	20"	21"	24"	27"	28"	30"	32"	36"
2'-5" 12"	1 16" x 12"	13 18" x 12"	25 20" x 12"	37 21" x 12"	49 24" x 12"	61 27" x 12"	73 28" x 12"	85 30" x 12"	97 32" x 12"	109 36" x 12"
2'-9" 14"	2 16" x 14"	14 18" x 14"	26 20" x 14"	38 21" x 14"	50 24" x 14"	62 27" x 14"	74 28" x 14"	86 30" x 14"	98 32" x 14"	110 36" x 14"
3'-1" 16"	3 16" x 16"	15 18" x 16"	27 20" x 16"	39 21" x 16"	51 24" x 16"	63 27" x 16"	75 28" x 16"	87 30" x 16"	99 32" x 16"	111 36" x 16"
3'-5" 18"	4 16" x 18"	16 18" x 18"	28 20" x 18"	40 21" x 18"	52 24" x 18"	64 27" x 18"	76 28" x 18"	88 30" x 18"	100 32" x 18"	112 36" x 18"
3'-9" 20"	5 16" x 20"	17 18" x 20"	29 20" x 20"	41 21" x 20"	53 24" x 20"	65 27" x 20"	77 28" x 20"	89 30" x 20"	101 32" x 20"	113 36" x 20"
4'-1" 22"	6 16" x 22"	18 18" x 22"	30 20" x 22"	42 21" x 22"	54 24" x 22"	66 27" x 22"	78 28" x 22"	90 30" x 22"	102 32" x 22"	114 36" x 22"
4'-5" 24"	7 16" x 24"	19 18" x 24"	31 20" x 24"	43 21" x 24"	55 24" x 24"	67 27" x 24"	79 28" x 24"	91 30" x 24"	103 32" x 24"	115 36" x 24"
4'-9" 26"	8 16" x 26"	20 18" x 26"	32 20" x 26"	44 20" x 26"	56 24" x 26"	68 27" x 26"	80 28" x 26"	92 30" x 26"	104 32" x 26"	116 36" x 26"
4'-11" 27"	9 16" x 27"	21 18" x 27"	33 20" x 27"	45 21" x 27"	57 24" x 27"	69 27" x 27"	81 28" x 27"	93 30" x 27"	105 32" x 27"	117 36" x 27"
5'-1" 28"	10 16" x 28"	22 18" x 28"	34 20" x 28"	46 21" x 28"	58 24" x 28"	70 27" x 28"	82 28" x 28"	94 30" x 28"	106 32" x 28"	118 36" x 28"
5'-5" 30"	11 16" x 30"	23 18" x 30"	35 20" x 30"	47 21" x 30"	59 24" x 30"	71 27" x 30"	83 28" x 30"	95 30" x 30"	107 32" x 30"	119 36" x 30"
5'-9" 32"	12 16" x 32"	24 18" x 32"	36 20" x 32"	48 21" x 32"	60 24" x 32"	72 27" x 32"	84 28" x 32"	96 30" x 32"	108 32" x 32"	120 36" x 32"

For window units 1-84, refer to pages BI-12 and 13.

Sash are prefit in Width: 1/16", Height: 3/32"

Light cuts are shown for Optional Wood Grilles, GBG or SDL

Illustrations not to scale.

1/1 LIGHT		Wood Sash	Tilt 'n Clean Balances Block & Tackle (White or Beige)	
Sash Size	Glass Size	Low "E" IG w/Argon 1/1		
85	2'-9 5/8" x 2'-5"	30" x 12"	\$232.00	\$46.00
86	2'-9 5/8" x 2'-9"	30" x 14"	245.00	48.00
87	2'-9 5/8" x 3'-1"	30" x 16"	223.00	49.00
88	2'-9 5/8" x 3'-5"	30" x 18"	272.00	52.00
89	2'-9 5/8" x 3'-9"	30" x 20"	245.00	53.00
90	2'-9 5/8" x 4'-1"	30" x 22"	258.00	56.00
91	2'-9 5/8" x 4'-5"	30" x 24"	269.00	60.00
92	2'-9 5/8" x 4'-9"	30" x 26"	282.00	63.00
93	2'-9 5/8" x 4'-11"	30" x 27"	334.00	63.00
94	2'-9 5/8" x 5'-1"	30" x 28"	293.00	65.00
95	2'-9 5/8" x 5'-5"	30" x 30"	304.00	68.00
96	2'-9 5/8" x 5'-9"	30" x 32"	330.00	72.00
97	2'-11 5/8" x 2'-5"	32" x 12"	238.00	46.00
98	2'-11 5/8" x 2'-9"	32" x 14"	251.00	48.00
99	2'-11 5/8" x 3'-1"	32" x 16"	229.00	49.00
100	2'-11 5/8" x 3'-5"	32" x 18"	279.00	52.00
101	2'-11 5/8" x 3'-9"	32" x 20"	252.00	53.00
102	2'-11 5/8" x 4'-1"	32" x 22"	264.00	56.00
103	2'-11 5/8" x 4'-5"	32" x 24"	275.00	60.00
104	2'-11 5/8" x 4'-9"	32" x 26"	334.00	63.00
105	2'-11 5/8" x 4'-11"	32" x 27"	340.00	63.00
106	2'-11 5/8" x 5'-1"	32" x 28"	304.00	65.00
107	2'-11 5/8" x 5'-5"	32" x 30"	378.00	68.00
108	2'-11 5/8" x 5'-9"	32" x 32"	391.00	72.00
109	3'-3 5/8" x 2'-5"	36" x 12"	251.00	46.00
110	3'-3 5/8" x 2'-9"	36" x 14"	266.00	48.00
111	3'-3 5/8" x 3'-1"	36" x 16"	279.00	49.00
112	3'-3 5/8" x 3'-5"	36" x 18"	293.00	52.00
113	3'-3 5/8" x 3'-9"	36" x 20"	306.00	53.00
114	3'-3 5/8" x 4'-1"	36" x 22"	319.00	56.00
115	3'-3 5/8" x 4'-5"	36" x 24"	340.00	60.00
116	3'-3 5/8" x 4'-9"	36" x 26"	347.00	63.00
117	3'-3 5/8" x 4'-11"	36" x 27"	368.00	63.00
118	3'-3 5/8" x 5'-1"	36" x 28"	378.00	65.00
119	3'-3 5/8" x 5'-5"	36" x 30"	449.00	68.00
120	3'-3 5/8" x 5'-9"	36" x 32"	464.00	72.00

### For Sash Pack Replacement Kit\*\*

ADD pair of Sash only plus set Tilt 'n Clean Block & Tackle Balances plus Sash Lock(s) plus \$27.00

Shop Item – Allow additional time

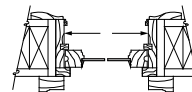
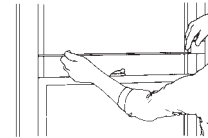
### Sash Locks (not applied)

White \$4.70 each  
Brasstone \$21.90 each

Allow 2 sash locks for glass size 27" or wider

### HOW TO MEASURE FOR REPLACEMENT SASH

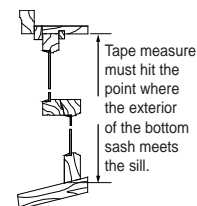
From inside the house, first measure the width of the window sash you are replacing. Measure from inside the window opening from jamb to jamb (wood to wood).



Be sure to measure from the surface of one side jamb to the other, not from the stop or parting bead.



To measure window opening height, lower the top sash a few inches and "thread" your tape measure between the sash.



Carefully measure the window height from the point where the top sash meets the head jamb to the point where the exterior of the bottom sash meets the sill.

\*\* Head Parting Stop color matched to balances.

## SASH ONLY – BALANCES – SASH PACK REPLACEMENT KITS

### COTTAGE STYLE

Sash Opening	2'-0 5/8"	2'-0 5/8"	2'-3 5/8"	2'-3 5/8"	2'-3 5/8"	2'-7 5/8"
Glass Size	21"	21"	24"	24"	24"	28"
Light Size	7" x 8"	7" x 8"	6" x 8"	8" x 10"	8" x 10"	7" x 9"
	6/9 Light	9/6 Light	8/12 Light	6/9 Light	9/6 Light	8/12 Light
3'-9"	16"/24"	—	3 24" x 16"/24"	—	—	—
4'-2"	18"/27", 27"/18"	1 21" x 18"/27"	2 21" x 27"/18"	—	—	6 28" x 18"/27"
4'-7"	20"/30", 30"/20"	—	—	4 24" x 20"/30"	5 24" x 30"/20"	—

Sash are prefit in Width: 1 9/16", Height: 3/32" Light cuts are shown for Optional Wood Grilles, GBG or SDL

COTTAGE STYLE		Wood Sash	Tilt 'n Clean Balances Block & Tackle* (White or Beige)
Sash Size	Glass Size	Low "E" IG w/Argon 1/1	
1 2'-0 5/8" x 4'-2"	21" x 18"/27"	\$272.00	\$60.00
2 2'-0 5/8" x 4'-2"	21" x 27"/18"	272.00	60.00
3 2'-3 5/8" x 3'-9"	24" x 16"/24"	295.00	55.00
4 2'-3 5/8" x 4'-7"	24" x 20"/30"	333.00	63.00
5 2'-3 5/8" x 4'-7"	24" x 30"/20"	333.00	63.00
6 2'-7 5/8" x 4'-2"	28" x 18"/27"	285.00	60.00

### PICTURE SASH

Sash Opening	3'-3 5/8"	3'-8"	4'-4"	5'-0"	5'-8"	
Glass Size	35 3/4"	39 3/4"	47 3/4"	55 3/4"	63 3/4"	
	35 3/4"	39 3/4"	47 3/4"	55 3/4"	63 3/4"	
3'-1"	32 3/4"	1 3'-3 5/8" x 3'-1"	6 3'-8" x 3'-1"	11 4'-4" x 3'-1"	16 5'-0" x 3'-1"	21 5'-8" x 3'-1"
3'-9"	40 3/4"	2 3'-3 5/8" x 3'-9"	7 3'-8" x 3'-9"	12 4'-4" x 3'-9"	17 5'-0" x 3'-9"	22 5'-8" x 3'-9"
4'-1"	44 3/4"	3 3'-3 5/8" x 4'-1"	8 3'-8" x 4'-1"	13 4'-4" x 4'-1"	18 5'-0" x 4'-1"	23 5'-8" x 4'-1"
4'-5"	48 3/4"	4 3'-3 5/8" x 4'-5"	9 3'-8" x 4'-5"	14 4'-4" x 4'-5"	19 5'-0" x 4'-5"	24 5'-8" x 4'-5"
4'-9"	52 3/4"	5 3'-3 5/8" x 4'-9"	10 3'-8" x 4'-9"	15 4'-4" x 4'-9"	20 5'-0" x 4'-9"	25 5'-8" x 4'-9"

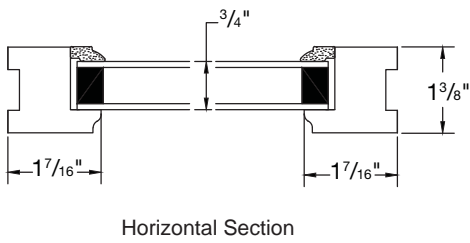
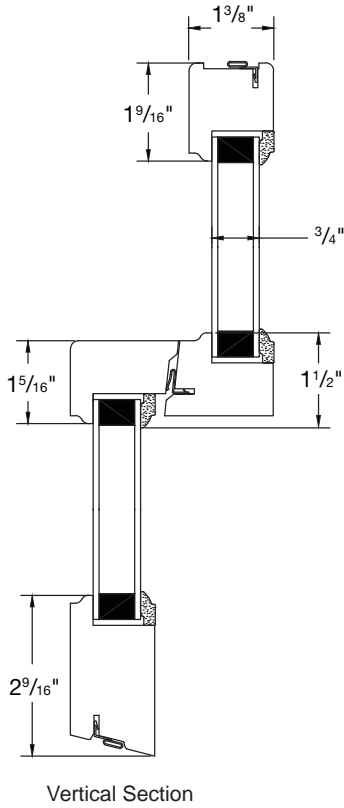
Light cuts are shown for Optional Wood Grilles, GBG or SDL

PICTURE	Wood Sash
Sash Size	Low "E" IG w/Argon 1/1
1 3'-3 5/8" x 3'-1"	\$457.00
2 3'-3 5/8" x 3'-9"	503.00
3 3'-3 5/8" x 4'-1"	452.00
4 3'-3 5/8" x 4'-5"	548.00
5 3'-3 5/8" x 4'-9"	571.00
6 3'-8" x 3'-1"	480.00
7 3'-8" x 3'-9"	452.00
8 3'-8" x 4'-1"	548.00
9 3'-8" x 4'-5"	571.00
10 3'-8" x 4'-9"	612.00
11 4'-4" x 3'-1"	526.00
12 4'-4" x 3'-9"	491.00
13 4'-4" x 4'-1"	526.00
14 4'-4" x 4'-5"	545.00
15 4'-4" x 4'-9"	657.00

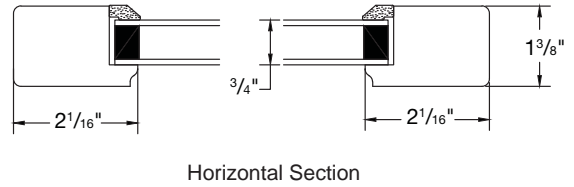
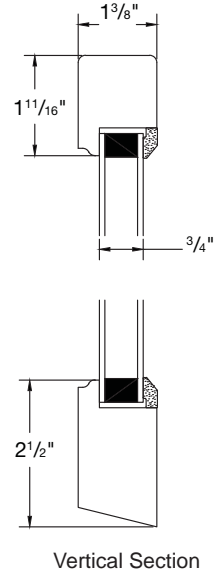
PICTURE	Wood Sash
Sash Size	Low "E" IG w/Argon 1/1
16 5'-0" x 3'-1"	\$571.00
17 5'-0" x 3'-9"	634.00
18 5'-0" x 4'-1"	565.00
19 5'-0" x 4'-5"	585.00
20 5'-0" x 4'-9"	703.00
21 5'-8" x 3'-1"	634.00
22 5'-8" x 3'-9"	585.00
23 5'-8" x 4'-1"	604.00
24 5'-8" x 4'-5"	624.00
25 5'-8" x 4'-9"	771.00

**NOTES:** Items priced in *Italics* are Factory Order – Please allow additional lead time.

### WOOD DOUBLE-HUNG SASH



### WOOD PICTURE SASH



Wood Window Layout		
	Double-Hung	Picture
Top Rail	1 9/16"	1 11/16"
Check Rail	1 1/2"	—
Bottom Rail	2 9/16"	2 1/2"
Stiles	1 7/16"	2 1/16"
Composite Glazing Bead		



# BROSCO Windows Care & Finishing



Please read these requirements carefully for maximum service and satisfaction.

## STORAGE AND HANDLING

1. Windows should always be stored in a clean, dry, well-ventilated building.
2. Do not store windows at the jobsite until concrete floors, foundations and plasterwalls are thoroughly dry.
3. Windows should not be exposed to excessive heat, dryness, or direct sunlight.

## INSTALLATION (WINDOW UNIT)

1. Allow windows time to acclimate to a normal relative humidity for your area prior to installation.
2. Frame opening properly. **Plumb, Level and Square.**
3. Make sure opening is properly dimensioned. For masonry be sure to allow for caulking.
4. Close sash and secure lock (if applicable).
5. Center window in opening and make sure sill plate is level. Block sill from sill plate at side jamb area.
6. Shim at midpoint area between jamb and stud. Shim properly to avoid causing jambs to bow.
7. Check to make certain unit is plumb, level and square. Secure unit in wall by nailing through the exterior casing.
8. Insulate between jamb and rough opening on all sides with fiberglass insulation. **CAUTION:** Do not overpack insulation, which may cause jamb to bow. Avoid using expandable type foam insulation materials. This may also bow jambs causing difficult operation.

## REMOVAL AND INSTALLATION (SASH AND BALANCES)

1. Allow sash time to acclimate to a normal relative humidity for your area prior to installation.
2. Carefully remove the side and head stops using a small prybar or stiff blade putty knife (in some instances, these stops may be held in place with screws). Do not discard, as you will make use of both the head and side stops again later.
3. Lift the bottom sash out of opening and detach sash cord, chain or other support method.
4. Remove the side and head parting beads. It may again be necessary to use a prybar. Retain the head parting bead, as it will be reused after the new sash are installed. Remove top sash by lifting out the opening and detaching the sash cord.
5. Remove the old sash pulleys and weights.
6. Insulate the window weight cavities.
7. Install new balances and sash according to instructions provided.
8. Test both sash to ensure proper operation. Reinstall the head parting bead and window stops.

## FINISHING

1. Finish must be applied to the window immediately after installation, but not during or immediately after high moisture periods.
2. Surfaces must be clean and dry.
3. Sand interior of window with 180 grit sandpaper.
4. Thoroughly remove all dust with a tack cloth before applying finish.
5. **Painting:**

To finish the **Exterior** - use only a high quality paint, carefully following the manufacturer's instructions. **Do not use dark colored paint on surfaces receiving direct sunlight.** Only a high quality paint is acceptable as an exterior finish (stain is not acceptable as an exterior finish).

- Frame, casing and exterior face of sash is factory primed with acrylic latex primer.
- Paint all parts exposed to the elements with two additional coats of high quality exterior paint following manufacturer's instructions (including top and bottom of sash).
- All exterior finishes must have ultra-violet (UV) inhibitors in the finish.
- Apply top coats generously to bridge the gap between wood and glass. Lap paint onto glass  $\frac{1}{16}$ " to protect against moisture penetration.
- Do not paint the window balance or weatherstripping.

To finish the **Interior** - use a high quality paint or stain (wood only), carefully following manufacturer's instructions.

- The interior will accept stain more uniformly if a "pre-stain", "sanding sealer" or "conditioner" is used prior to staining.
- Apply semi-transparent stain or a clear undercoat to the interior.
- Apply three coats of clear top coat, such as varnish or polyurethane.

When windows are replaced under warranty, BROSCO and manufacturer are not responsible for replacement or labor costs.

Manufacturer will not be responsible for windows that are not installed properly and/or finished properly.



# *BROSCO Windows Warranty Coverage*



## **TEN YEAR (10) LIMITED WARRANTY FOR GLASS**

The glass in BROSCO Window Units is warranted to be free from manufacturing defects for 10 years from the date of purchase or from the glass manufacture date. BROSCO will provide the replacement glass in sash or glass only (depending on the product type) to a BROSCO window retailer at no cost to you.

## **ONE YEAR (1) LIMITED WARRANTY FOR PRODUCTS AND COMPONENTS OTHER THAN GLASS**

All non-glass portions of windows are warranted to be free from defects in manufacturing, materials and workmanship, which would make the product unfit for its normal and recommended use, for a period of 1 year from the date of purchase. During this time BROSCO may elect to either repair or replace any defective BROSCO product. If repair or replacement is impractical, BROSCO may elect to refund your original product purchase price or the original product retailer's list price (whichever is less). If replacement is elected, replacement products will be shipped to a BROSCO window retailer.

### **HOW TO GET HELP...**

To obtain help under this warranty, contact a BROSCO window retailer. If no corrective action has taken place after waiting a reasonable time then write to:

Brockway-Smith Company  
Warranty Assistance Department  
125 Chestnut Street  
Hatfield, Massachusetts 01088

Please: (a) identify the BROSCO product or glass that is involved, the date and place of purchase, and the original purchase price if known; (b) describe completely what the claimed defect is (photographs or sketches are helpful); (c) identify yourself and those persons who have already been contacted and state what attempts have been made to correct the problem; and (d) give the address where the defective product or glass can be inspected. BROSCO will investigate your claim upon notification and take appropriate action.

### **EXCLUSIONS FROM COVERAGE**

This warranty does not cover:

- Cracked or broken glass
- Damage caused by improper installation, use, or maintenance; accident; Act of God; or any other circumstances beyond the control of BROSCO
- Damage caused by water leakage (other than as a result of a defective product or glass) or high humidity
- Damage caused by airborne pollutants
- Minor scratches or other imperfections in the glass that do not impair structural integrity or significantly obscure normal vision
- Products not finished-painted in accordance with installation instructions
- Performance of finish paints
- Labor or other charges incurred or claimed by the customer

### **DISCLAIMER OF WARRANTY**

BROSCO MAKES NO IMPLIED WARRANTY FOR A PARTICULAR PURPOSE, WITH RESPECT TO THE PRODUCT (OR ANY REPLACEMENT), AND MAKES NO OTHER WARRANTIES, EXPRESS OR IMPLIED, STATUTORY OR OTHERWISE, WITH RESPECT TO THE PRODUCT (OR ANY REPLACEMENT), EXCEPT TO THE EXTENT PROVIDED HEREIN.

### **LIMITATION OF REMEDIES**

THE REMEDIES SET FORTH ABOVE ARE THE CUSTOMER'S EXCLUSIVE REMEDIES FOR BREACH OF WARRANTY. IN NO CASE SHALL BROSCO BE LIABLE TO THE CUSTOMER OR ANY OTHER PERSON FOR ANY GENERAL, INCIDENTAL OR CONSEQUENTIAL DAMAGES. SOME STATES DO NOT PERMIT ANY LIMITATION ON THE LENGTH OF AN IMPLIED WARRANTY, OR ANY EXCLUSION OR LIMITATION OF INCIDENTAL OR CONSEQUENTIAL DAMAGES, AND THEREFORE SOME LIMITATION OR EXCLUSIONS IN THIS WARRANTY MAY NOT APPLY. Unless modified in a later writing signed by both BROSCO and the claimant, this warranty is the complete and exclusive warranty relating to the product. Invalidation of any one or more of the provisions of this warranty shall not invalidate or affect any one of the other provisions hereof, which shall remain in full force and effect. This warranty is not transferable.