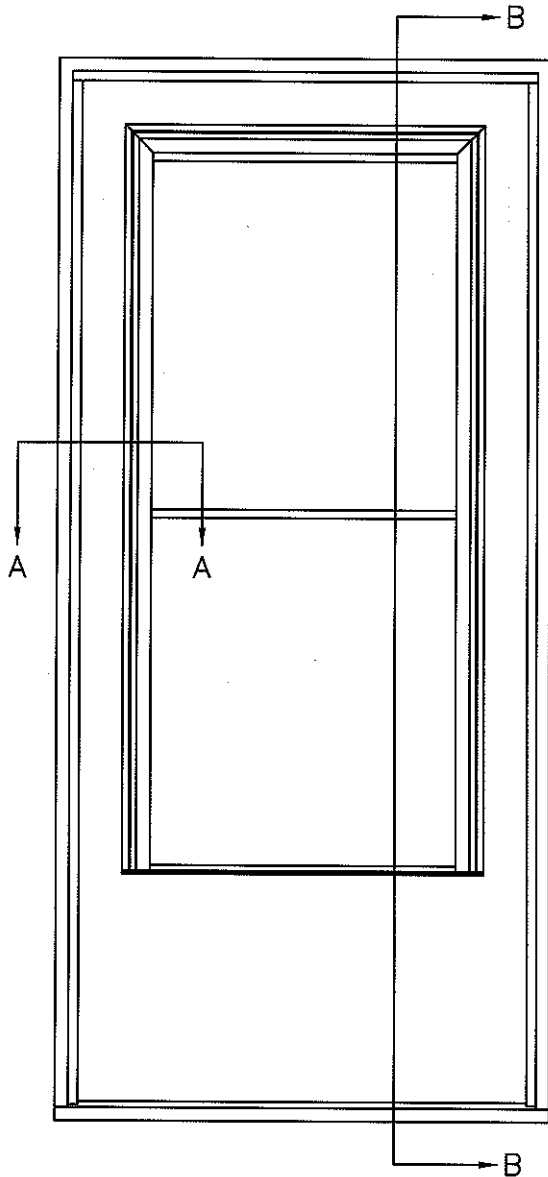
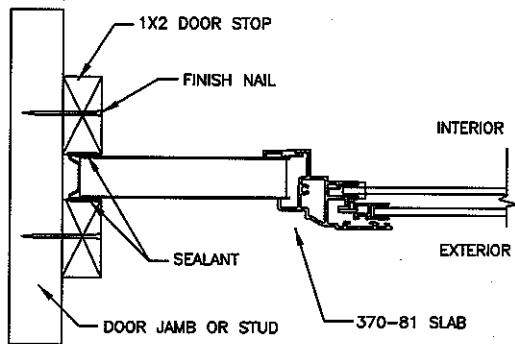
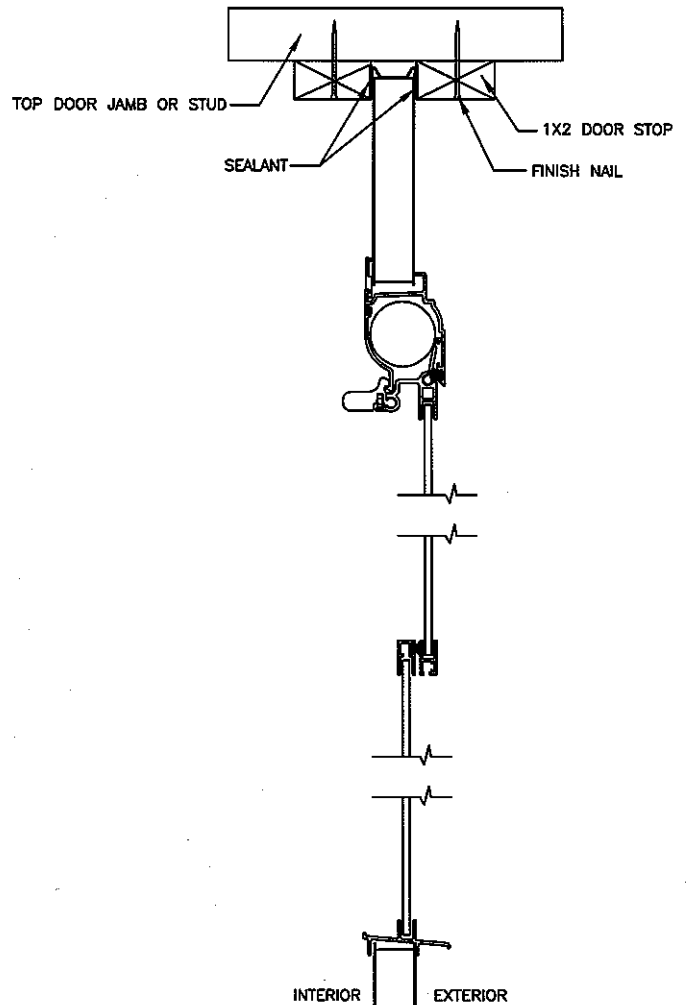


Larson 3 Season Room Wood Core Door

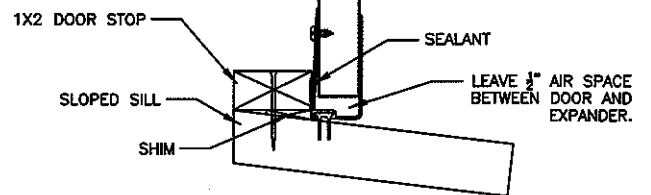
DWG# 50300997



EXTERIOR ELEVATION



CROSS SECTION A



CROSS SECTION B