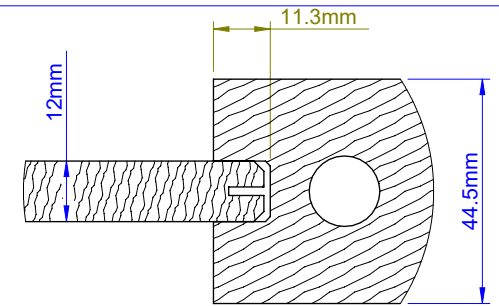
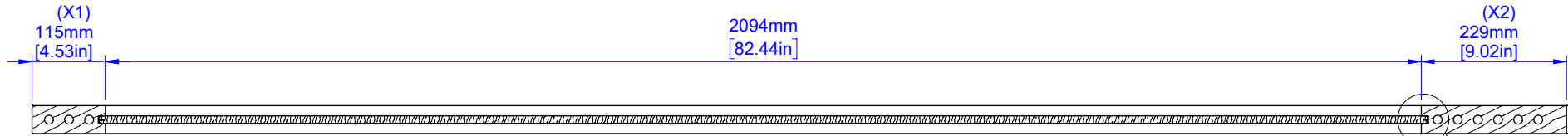




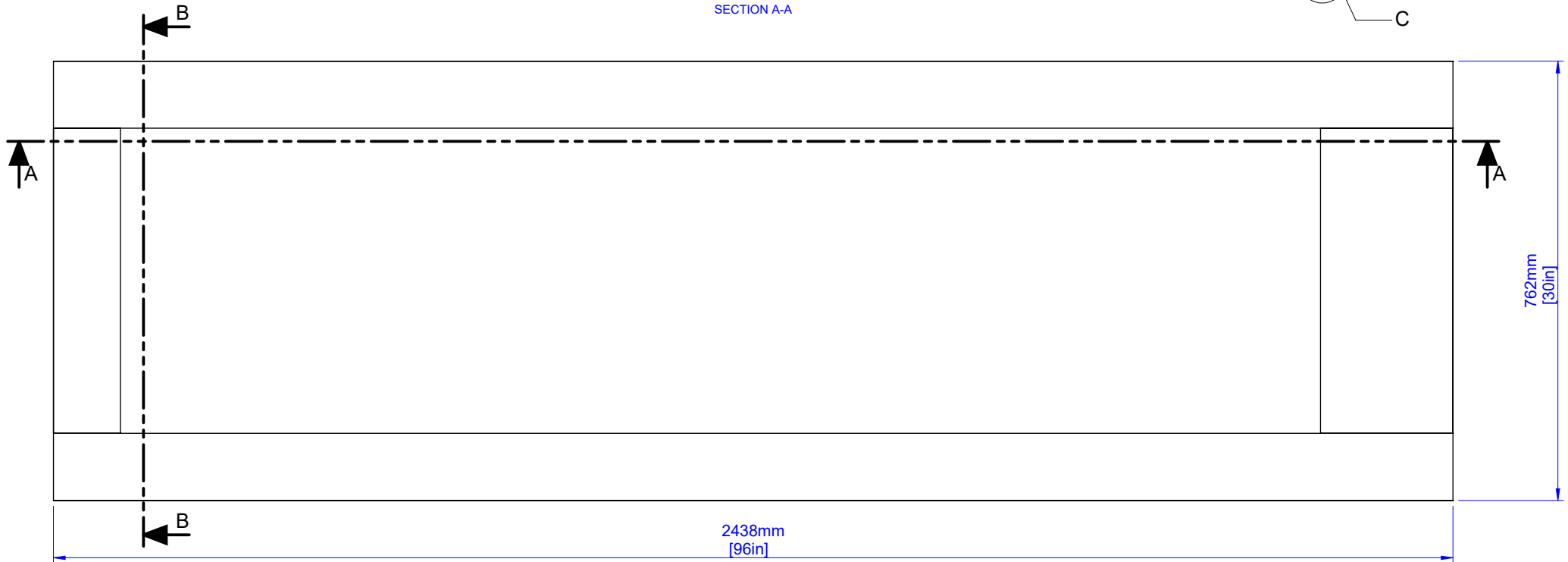
SECTION B-B
SCALE 1 : 8



DETAIL C
SCALE 1 : 1.5

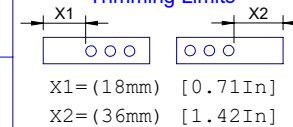


SECTION A-A

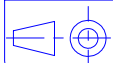


FLAT PANEL 45mm (1 3/4") One Flat Panel 12mm Standard VG Square Sticking

Trimming Limits



Customer:



25/01/20

1:10

FSC Wood Statistic

0.046604m³

Size in Inch Decimals:

1.77 x 30 x 96

Size in Milimeter:

45 x 762 x 2438

Drawing Code:

A014160

Model:

0694-C

